

LUX Speaker Light Driver regulated with built-in voltage stabilizer Installation Guide

Please read the following pages before attempting installation to ensure complete understanding of the LUMISHORE LUX Speaker Light Driver regulated with built-in voltage stabilizer

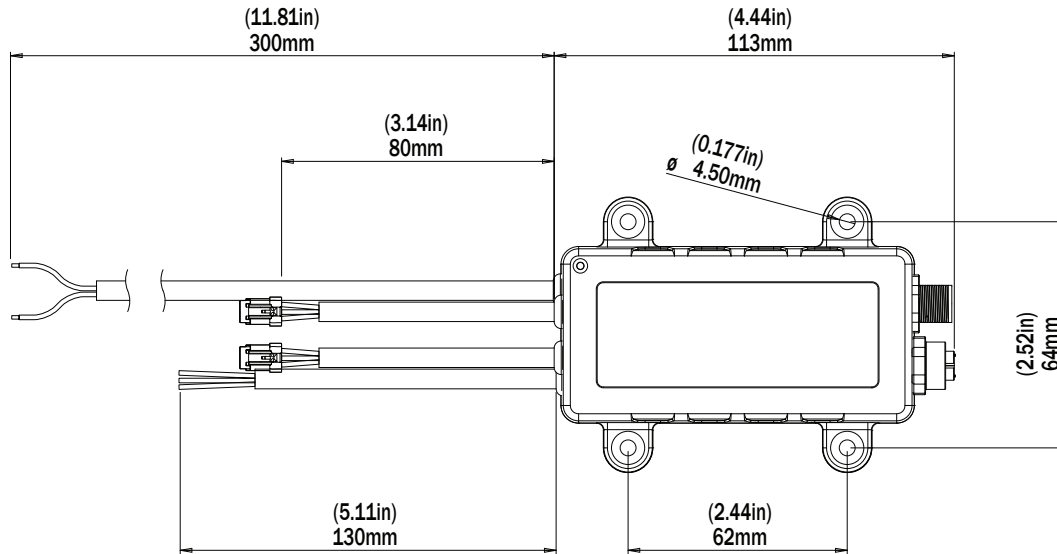


Before you start...

- Always ensure that the vessel's power source and battery are disconnected or isolated prior to installation.
- A qualified professional should carry out both the electrical and mechanical installation.
- The LUX Speaker Light Driver should be mounted on a flat surface and in a cool, dry, well ventilated location.
- Each LUX Speaker Light Driver should be individually fused and/or connected to a suitable circuit breaker.
- The LUX Speaker Light Driver is designed to work with 12V RGB Speakers or RGBWW speakers. Do not use with other types of strip light product.

The LUX Speaker Light Driver Regulated with built in voltage stabilizer is suitable for both 12V and 24V vessels. It has built in circuitry to allow it to operate over a range of 10-31volts input and will ensure a regulated and stabilized output of 12volts.

Basic Dimensions:



Electrical specification:

- Input = 10.5 to 31 Volt
- Output = 12Volt (stabilized)
- Typical current draw = 5.6@12V, 2.8@24V
- Max power = 68watts
- Max number of speakers = 16

Fuse rating (Note: Each driver should be connected via an in-line fuse or circuit breaker)

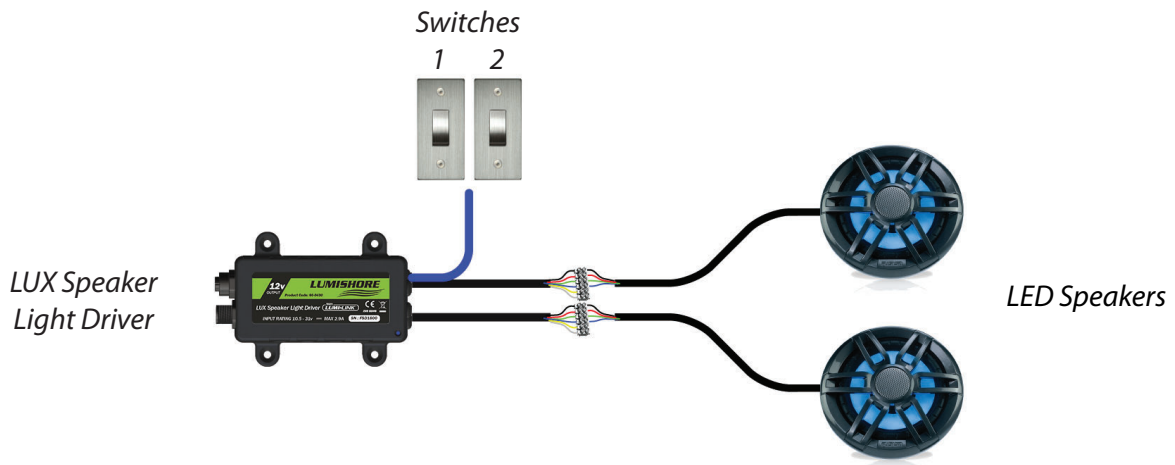
| Input Voltage | Fuse Rating |
|---------------|-------------|
| 12v | 7.5 Amp |
| 24v | 4 Amp |

Input & Output connections:



Installation Diagram (Switch Only Operation):

The LUX Speaker Light Driver can be installed as a stand alone RGB LED Speaker driver and operated with momentary switches



Speaker Connection.....

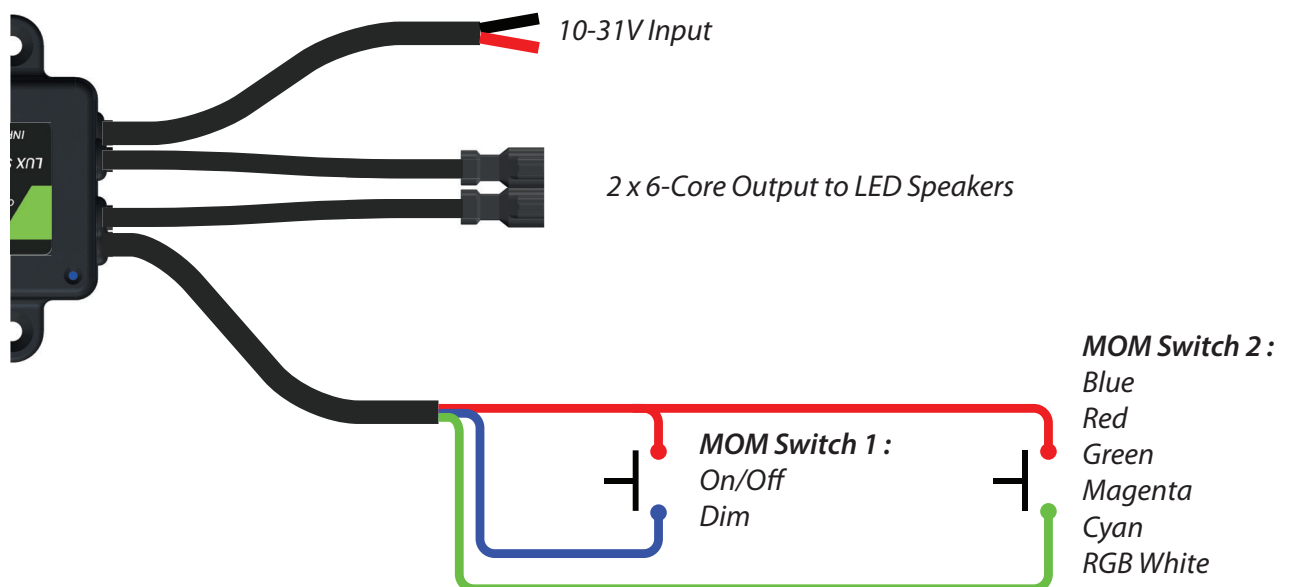
See Page 5 for speaker wiring instructions.

Switch Control.....

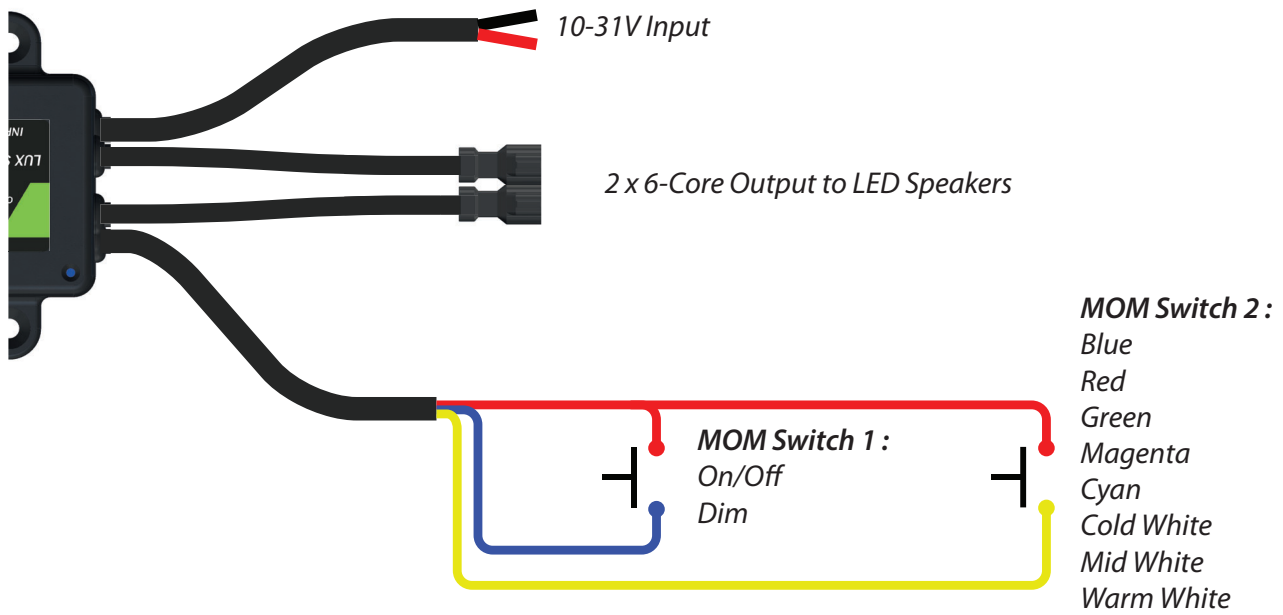
- Switch 1 = On / Off (Hold to dim)
- Switch 2 = Colour Select - See below

The wiring diagram to connect the switches options above are shown on the following pages all unused switch wire inputs should be isolated.

RGB Speakers Switch Wiring Diagram



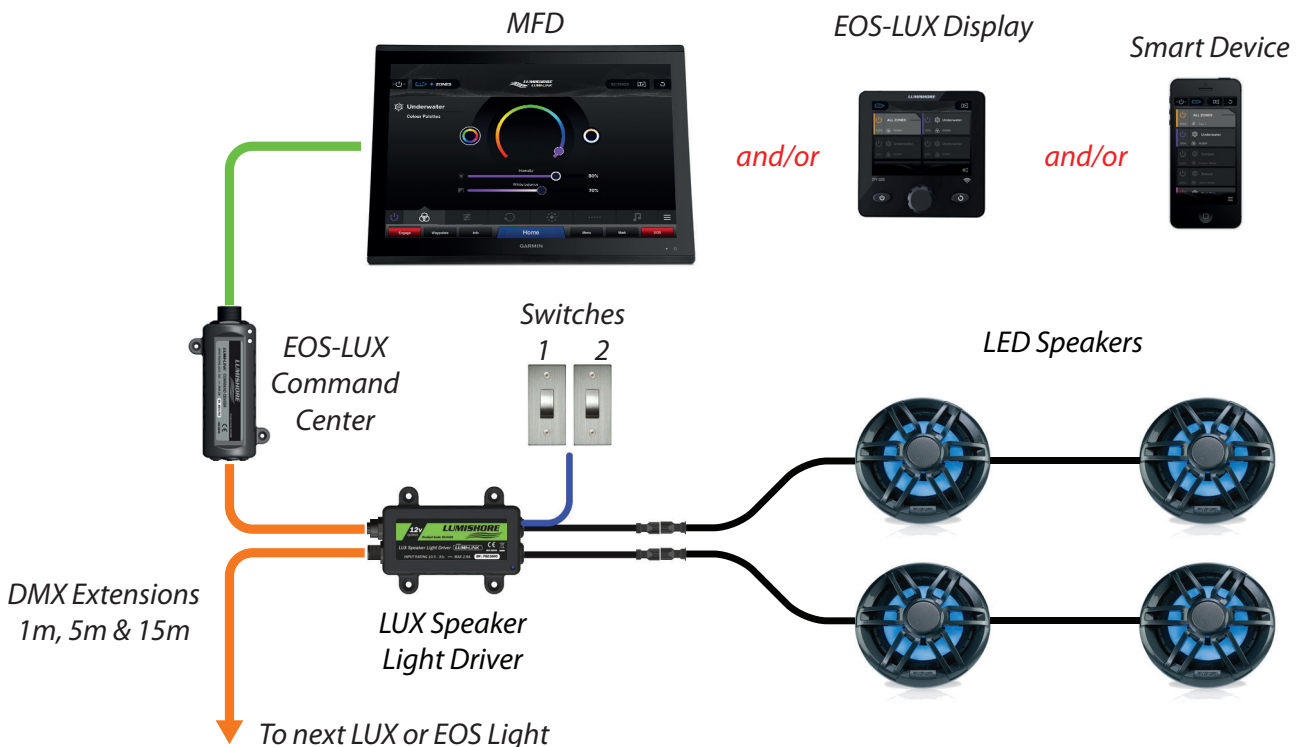
RGBWW Speakers Switch Wiring Diagram



Installation Diagram (Switch control and EOS-LUX Command Center)

The LUX Speaker Light Driver can be used in conjunction with the EOS-LUX Command Center and other Lumishore LUX or EOS lighting products to offer complete vessel lighting control from the vessels multifunction display, EOS-LUX Display or Smart device. Each LUX module can also be controlled from independent momentary switches mounted in the room or dash board. When pressed, the switch removes control from the EOS-LUX command center and offers independent On/Off control, dimming or preset color selection. To let the EOS-LUX command center regain control the associate zone should be powered off and on again at the MFD, smart device or EOS-LUX display.

NOTE : RGB speakers will respond to RGB colour commands only. All Cold white or Warm white commands sent from the EOS-LUX Command Center will be ignored.

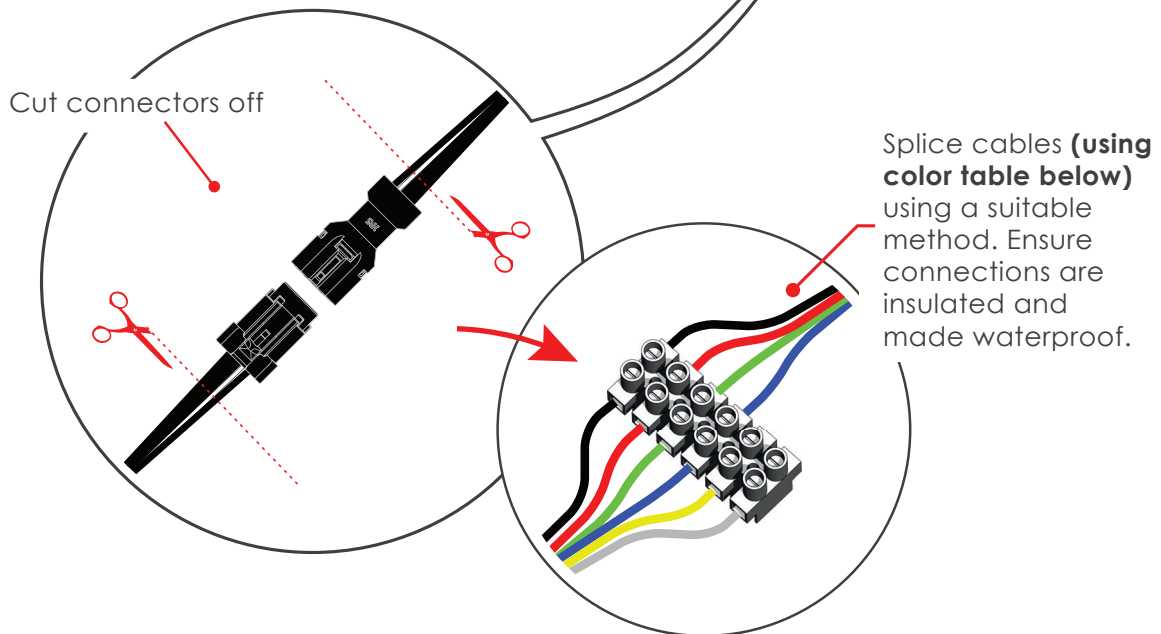


LUX SL/SNL Power Extension Cable (6 core between Driver and LED Speaker)

The cable between LED Speaker and driver can be extended using the premade 6 core extension cables. **Note: Multiple cable extensions can be joined together but the overall extension length should not exceed 15m.**

6-Core Extension Cables (Max 15m)

| Length | Part Number |
|---------------------------------------|-------------|
| LUX SL/SNL Power Extension Cable - 1m | 60-0385 |
| LUX SL/SNL Power Extension Cable - 2m | 60-0386 |
| LUX SL/SNL Power Extension Cable - 3m | 60-0387 |
| LUX SL/SNL Power Extension Cable - 4m | 60-0388 |
| LUX SL/SNL Power Extension Cable - 5m | 60-0389 |



| Cable Color | Function |
|-------------|--------------------|
| Black | +12Volts |
| Red | Red Cathode |
| Green | Green Cathode |
| Blue | Blue Cathode |
| Yellow | Warm White Cathode |
| White | Cold White Cathode |

Status LED flash sequence



There is a status led that indicates Power and fault codes for the device.

- Solid blue – All OK (Power applied)
- 2 x flash – low voltage – check supply voltage and connections.
- 3 x flash – over temperature – switch off unit and ensure free air flow around enclosure.
- 8 x flash – thermistor error
- Rapid flash – EOS-LUX Command Center connected

Warranty

LUMISHORE Ltd warrants its lighting systems and associated lights and accessories to be free from defects in workmanship for a period of three years, starting from the date of original purchase. Should your lighting system have a problem during this period, please contact your dealer, boat manufacturer or broker as soon as you become aware of the defect.

Misuse, abuse, improper installation, neglect, improper shipping, damage caused by disasters (e.g. fire, flood, storm and lightning), installation by unqualified personnel, unauthorized repair or modification or non-approved installations will void this warranty. For the avoidance of confusion and doubt, non compliance with all installation guidelines, maintenance and operating instructions in this document constitute non conformance with warranty terms.

Full warranty details including exclusions are available at www.Lumishore.com.

The LUX Speaker Light Driver is designed to work with LED Speakers ONLY, do not use with other strip light products, this will invalidate the warranty.