

eclipse Downlight DL55 Installation Guide

[60-0481 - Downlight - Blue \(White finish\)](#) | [60-0482 - Downlight - Blue \(Black finish\)](#) | [60-0483 - Downlight - White \(White finish\)](#)

[60-0484 - Downlight - White \(Black finish\)](#) | [60-0485 - Downlight - Blue and White \(White finish\)](#) | [60-0486 - Downlight - Blue and White \(Black finish\)](#)

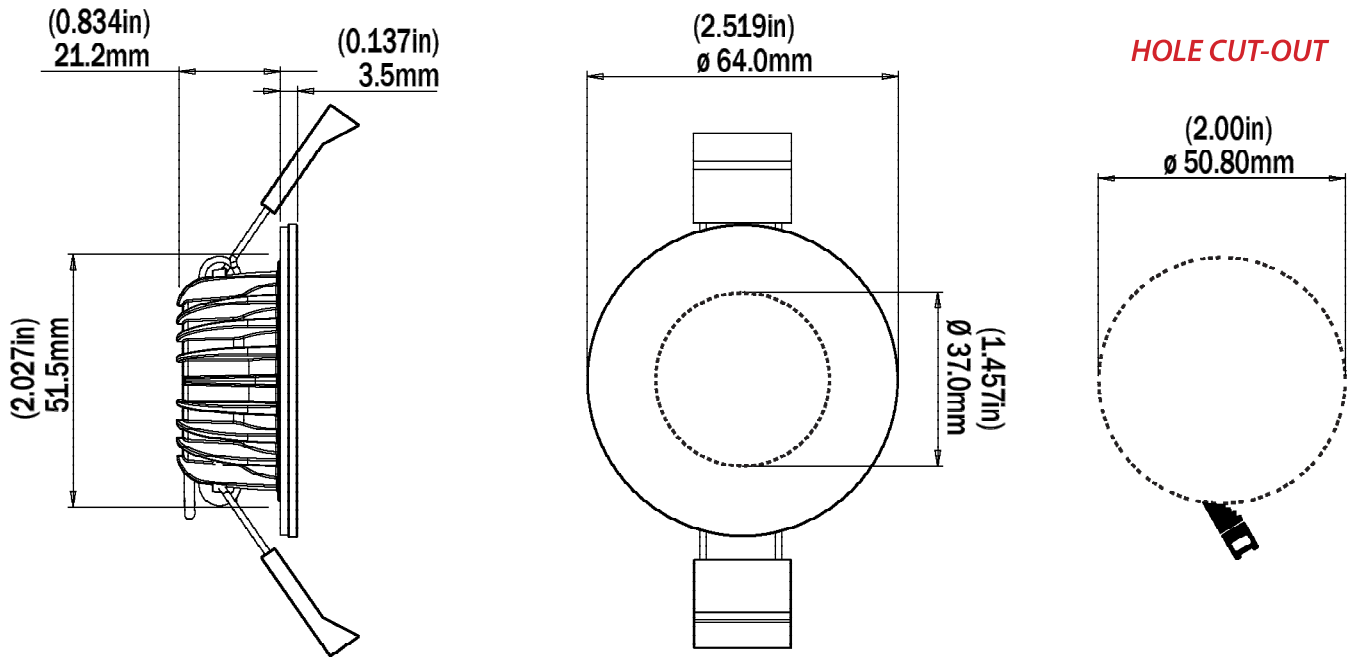
Please read the following pages before attempting installation



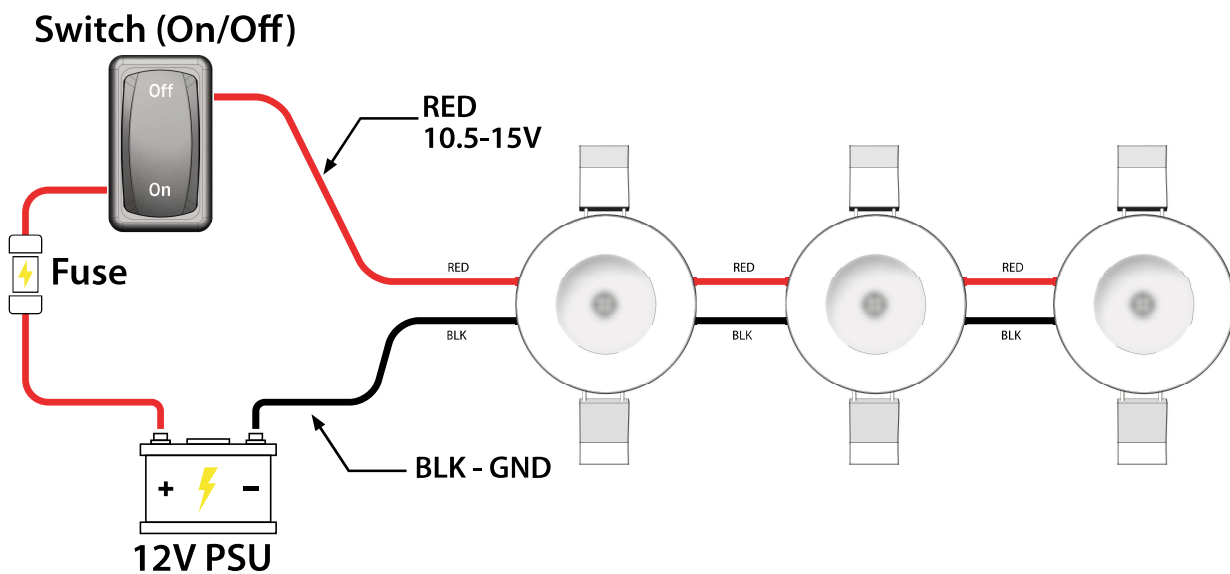
Before you start...

- Always ensure that the vessel's power source and battery are disconnected or isolated prior to installation.
- A qualified professional should carry out both the electrical and mechanical installation.
- The ECLIPSE Downlight is designed to be used in conjunction with a simple On/Off switch or used with the ECLIPSE Command Center. Do not connect to any other 3rd party lighting control products or dimmers.
- The ECLIPSE Downlight is fully sealed and can be installed inside or outside, it can be installed in wet areas but is not designed to be permanently submerged in water.
- Choose a location – the light must be mounted on a flat – not curved surface.
- The rear of the light may get warm to touch. The mounting surface should be suitable for installing this type of light
- The ECLIPSE Downlight DL55 is designed to work with 12V boats ONLY. It can operate between 10-15Volts DC. Do not connect voltages outside of this range or connect directly to AC voltage.

Basic Dimensions:



Installation Diagram - Single and dual color using On/Off switch



 **Important! Use appropriate size cable gauge to ensure < 3% voltage drop to last light in chain.**

Switch operation

Single Color : Toggle power switch to dim the light, toggle again to pause. Switch Off for 2 seconds to reset to full power

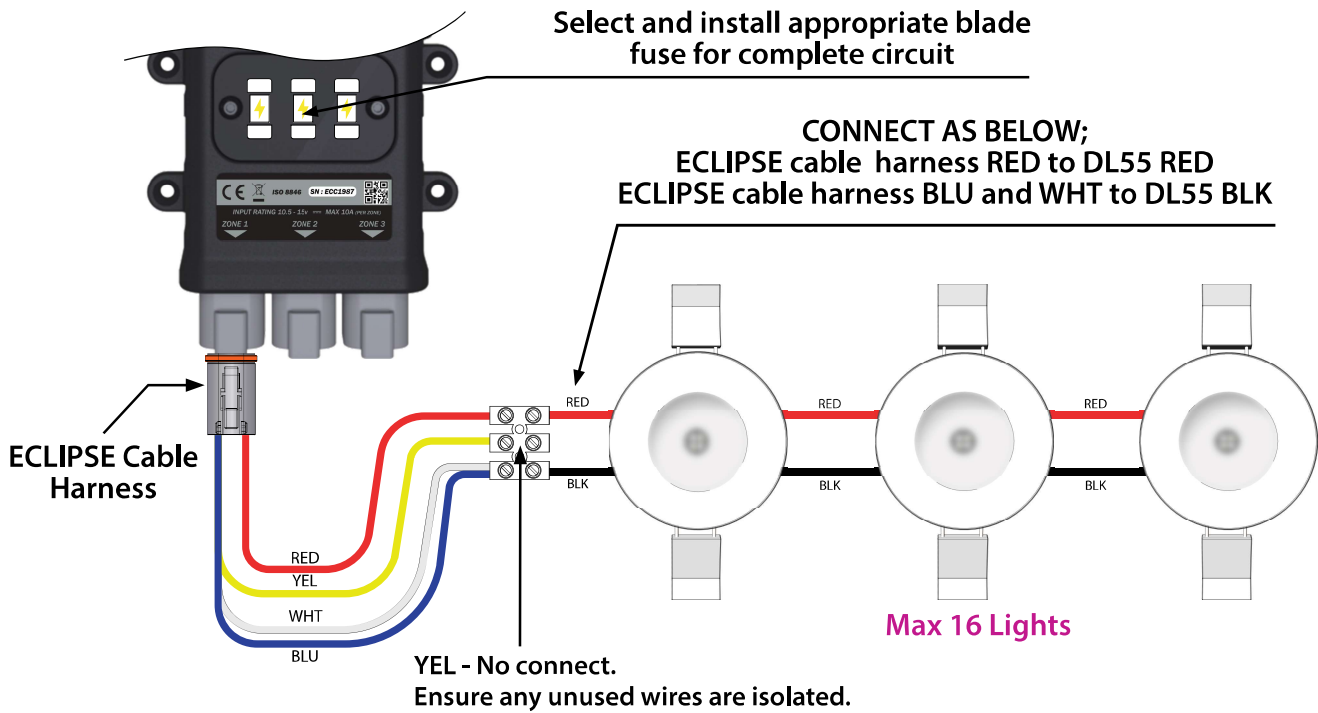
Dual Color: Toggle power switch to change color. Switch Off for 2 seconds to reset all lights to white.

Typical power rating = \approx 4watts per light
Typical current draw = 0.33A @ 12Volts

Installation Diagram - ECLIPSE Command Center

Note: For full ECLIPSE Command Center control consult ECLIPSE Command Center installation manual.

ECLIPSE Command Center



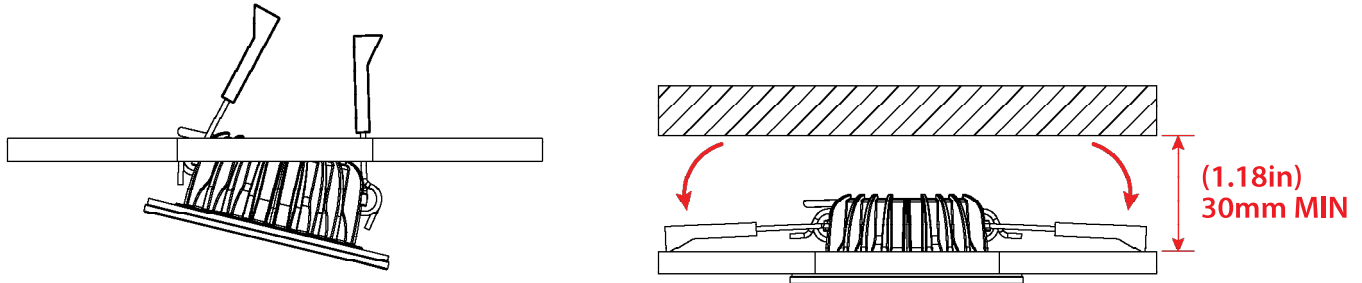
Note : Single color and dual color lights should not be added to the same zone output. Use a separate zone output for each type



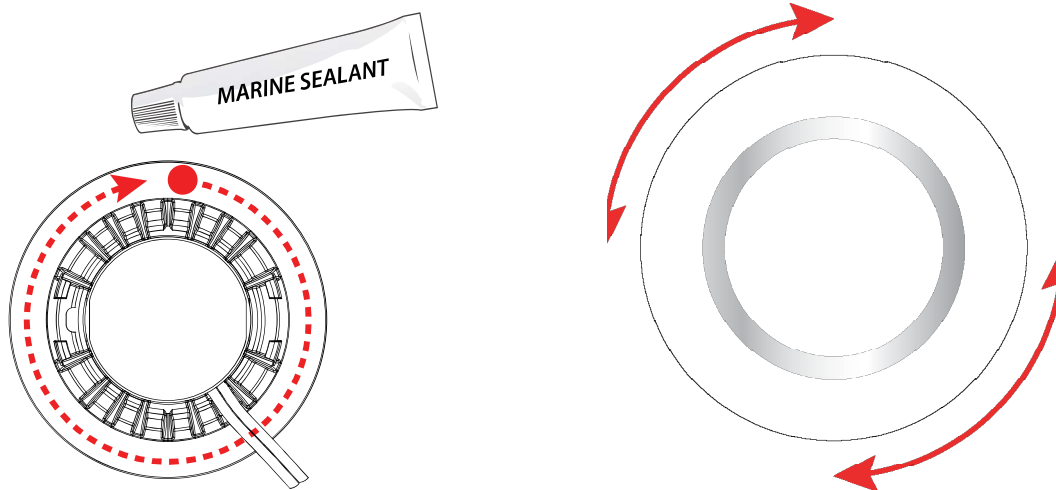
Important! Use appropriate size cable gauge to ensure < 3% voltage drop to last light in chain.

Mechanical Installation:

The body is designed to be fitted through a 2in hole, however, it is always recommended cut the hole smaller than needed and file to the correct size to ensure a snug fit. For indoor installations use the supplied spring clips, gently pull back the spring clips and feed the light into the hole, releasing the spring clips as the light is positioned.



For exterior installations or wet areas it is recommended that the light is fixed in place using a suitable marine sealant / adhesive. **Remove the spring clips and the black gasket** from the fixture and dispense a small amount of adhesive around the glass bezel. Push into place using a slight rotation of the light to spread the adhesive evenly. Clean any excess adhesive using a soft cloth and soap and water – **DO NOT USE CHEMICAL CLEANERS.**



Warranty

LUMISHORE Ltd warrants its lighting systems and associated lights and accessories to be free from defects in workmanship for a period of three years, starting from the date of original purchase. Should your lighting system have a problem during this period, please contact your dealer, boat manufacturer or broker as soon as you become aware of the defect.

Misuse, abuse, improper installation, neglect, improper shipping, damage caused by disasters (e.g. fire, flood, storm and lightning), installation by unqualified personnel, unauthorized repair or modification or non-approved installations will void this warranty. For the avoidance of confusion and doubt, non compliance with all installation guidelines, maintenance and operating instructions in this document constitute non conformance with warranty terms.

Full warranty details including exclusions are available at www.Lumishore.com.