



Bracket Mount  
PN:60-0468



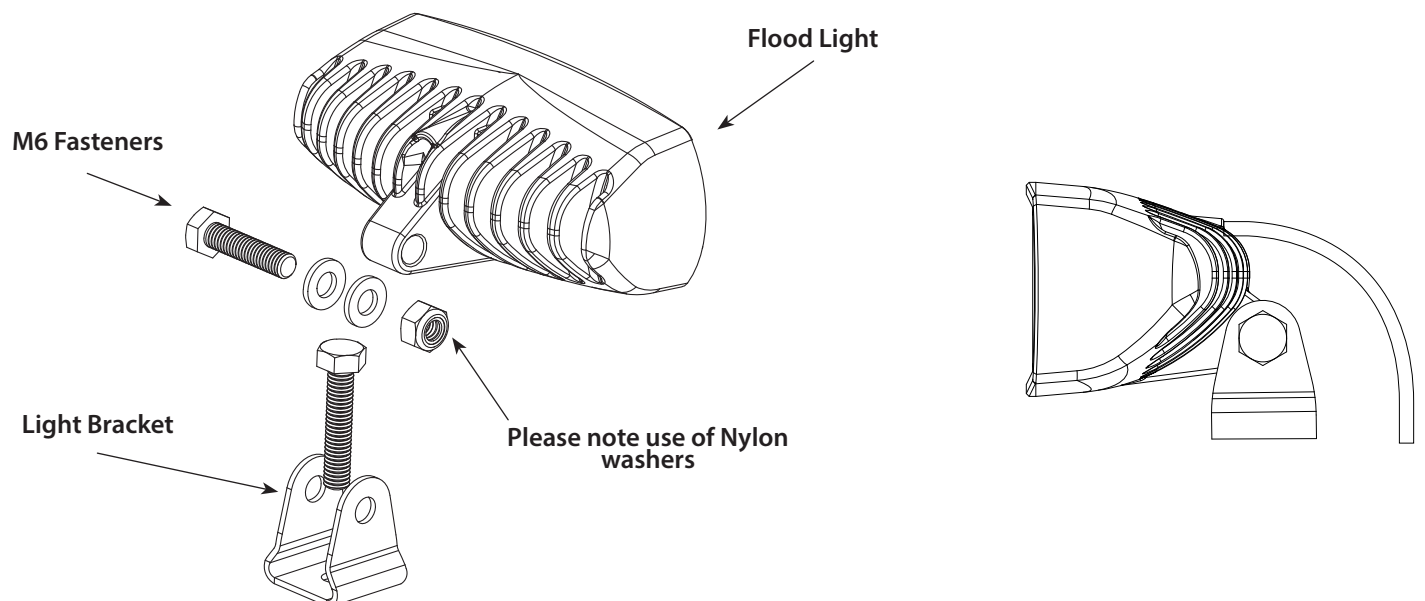
Flush Mount  
PN:60-0520

*Please read the following pages before attempting installation to ensure complete understanding of Lumishore LUX Flood Light 4". This product should only be installed, inspected, and maintained by a qualified electrician only, in accordance with all applicable electrical codes. Be certain electrical power is OFF before and during installation and maintenance.*

Colour Output	Voltage	Amps (max)
LUX 4" (CRGBW)	10-31VDC	1.7A

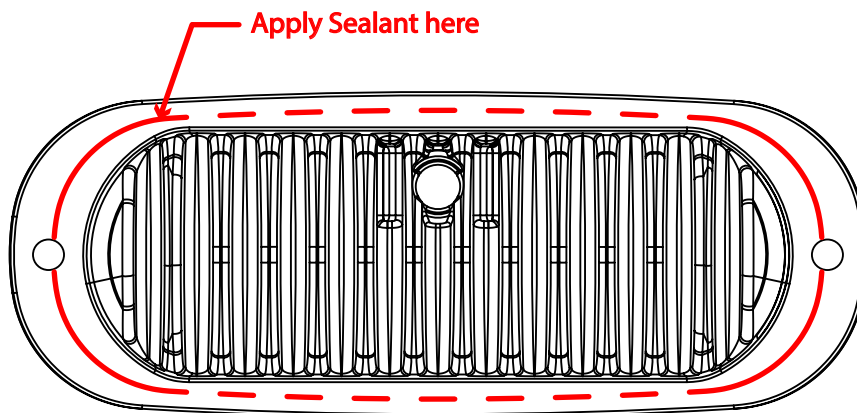
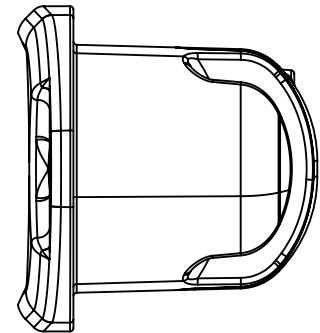
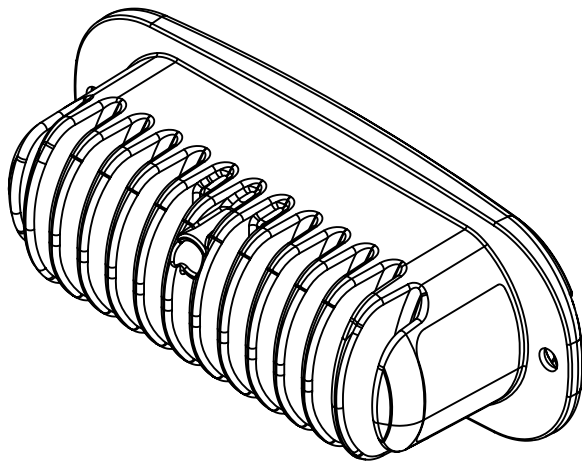
**Installation Instructions (Bracket Mount):**

1. Select mounting location. Mounting location should be flat and durable.
2. Using a suitable bit, drill the bracket hole. Bracket has a 6.5mm hole suitable for an M6 bolt (supplied), a louvre feature has been added to lock onto the bolt head and to avoid spinning when tightening.
3. Drill a 6mm (0.236in) hole for the cable. The cable should always be in a 'fixed' position, no movement or rotation. The cable entry should be made watertight, the use of a cable gland is recommended.
4. Fix bracket in place using supplied M6 bolt and nylon insert nut. Apply the appropriate torque based on fixings used and mounting surface.
5. Mount the flood light to bracket using the supplied M6 bolt, washers and nylon insert nut. Ensure nylon washers are placed on the inside of the stainless steel bracket. Tighten to a torque of 5Nm, DO NOT overtighten.



**Installation Instructions (Flush Mount):**

1. Select mounting location. Mounting location should be flat and durable. Check there are no obstructions behind the light location.
2. Using supplied template (45-0216), start with a small pilot hole and then carefully drill a 10mm hole in each corner followed by a saw to cut the sides. Note: Always cut smaller than needed and use a file to enlarge the hole if required.
3. Mount the light in location using a suitable marine grade sealant (such as 3m 4200). Screw the light in place with appropriate screws, and tighten to a torque not exceeding 5nM. Immediately clean any excess sealant with a rag and soapy water. (do not use chemicals as they may damage the light)



113mm

Cut along dashed line to create cutout  
( Cut inside line and file to size )

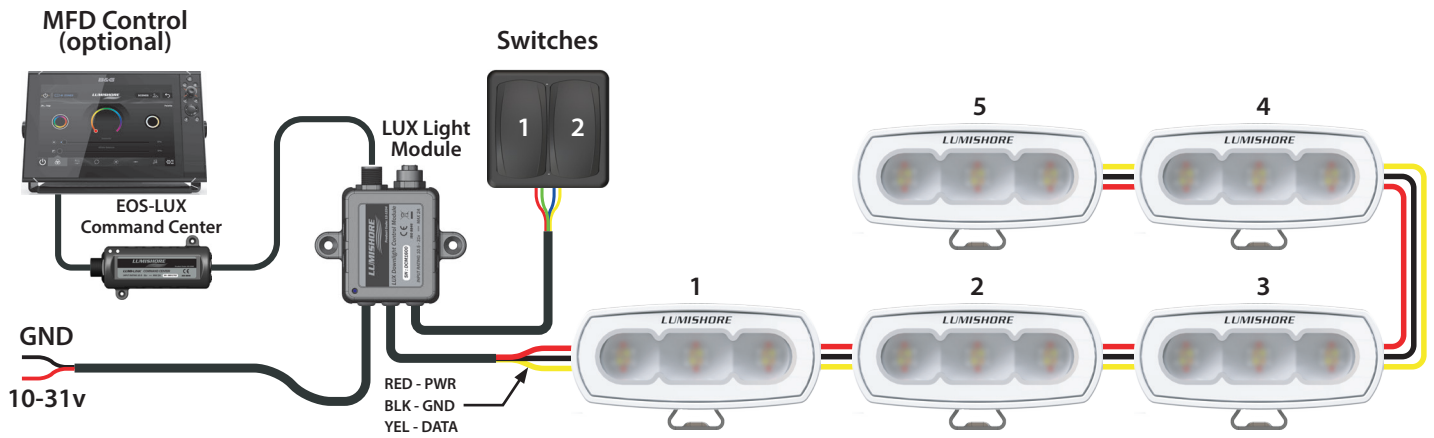
Pilot Drill,  
Appropriate for Screw Size

**NOT TO SCALE**

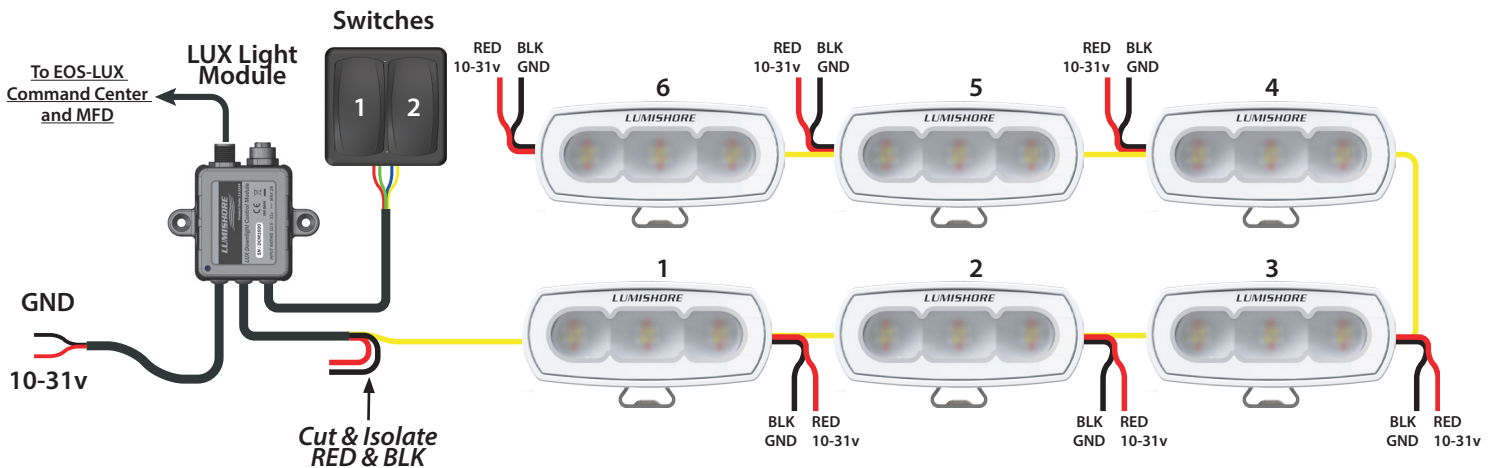
## Wiring Diagrams :

Wiring should be carried out as per ABYC guidelines. The Lumishore LUX Flood Light 4" requires connection to the Lumishore LUX Light Module. For further electrical installation instructions and wiring diagrams please refer to the LUX Light Module installation guide (45-0145). **Each lighting circuit must be fused accordingly.**

### Up to 5 lights



### More than 5 lights (max 16)



**Note : Black wire from each light and LUX Module should connect to common ground**

### Light Operation:

For full operating instructions please refer to the LUX Light Control Module Installation Manual (45-0145).

### Cleaning and Maintenance:

Use only soap and water to clean the light using a soft cloth. DO NOT use any chemical cleaners and DO NOT power wash. Inspection of the light should be carried out regularly.

### Warranty:

LUMISHORE Ltd warrants its lighting systems and associated lights and accessories to be free from defects in workmanship for a period of three years, starting from the date of original purchase. Should your lighting system have a problem during this period, please contact your dealer, boat manufacturer or broker as soon as you become aware of the defect.

Misuse, abuse, improper installation, neglect, improper shipping, damage caused by disasters (e.g. fire, flood, storm and lightning), installation by unqualified personnel, unauthorized repair or modification or non-approved installations will void this warranty. For the avoidance of confusion and doubt, non compliance with all installation guidelines, maintenance and operating instructions in this document constitute non conformance with warranty terms.

Full warranty details including exclusions are available at [www.Lumishore.com](http://www.Lumishore.com).