

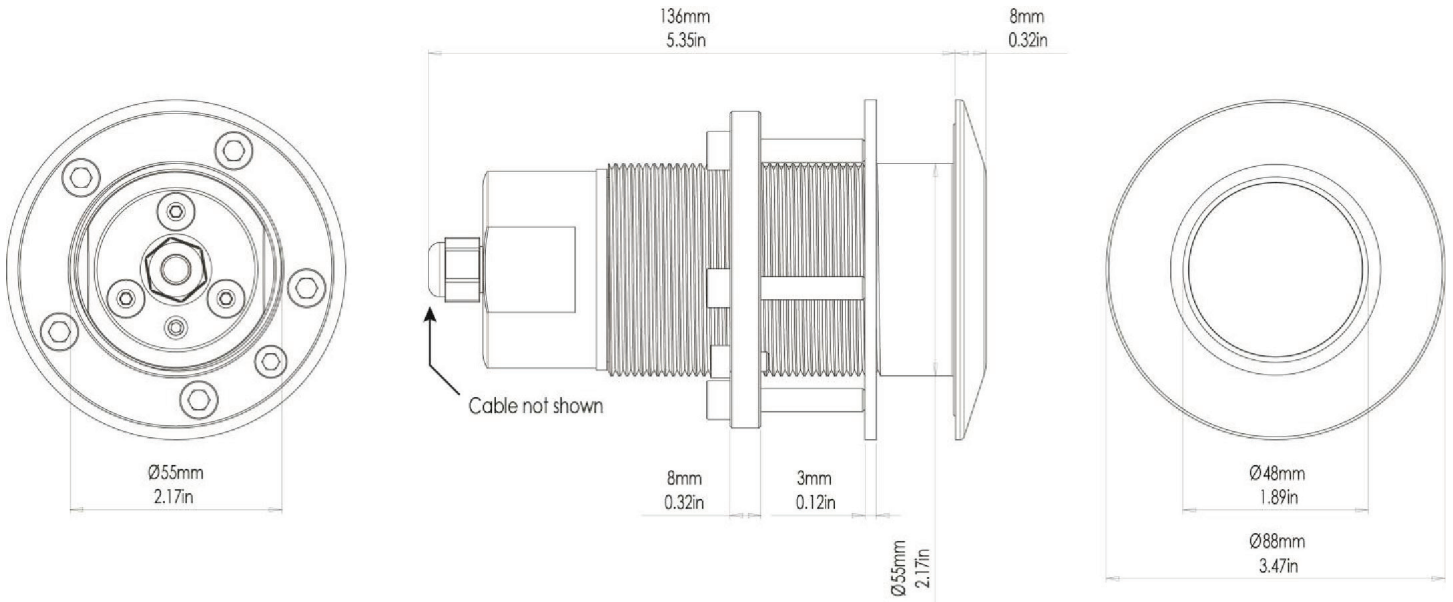


Lumi-Cam TIX402

INTERCHANGEABLE THRU-HULL UNDERWATER HD CAMERA



PART DESCRIPTION	TIX402 INTERCHANGEABLE THRU-HULL UNDERWATER HD CAMERA
Part Number	60-0255
Resolution	Full HD 1080p
Camera Features	Full HD Mega Pixel (1080p) Camera Wide Dynamic Range (WDR) 3D Digital Noise Reduction (3D-DNR) Automatic Low Light Mode HD-SDI or Composite Output (BNC)
Warranty	2 years



Lumi-Cam TIX402

INTERCHANGEABLE THRU-HULL UNDERWATER HD CAMERA



TECHNICAL	
Resolution	Full HD (1080p)
Lens	3.6mm Fixed Focus
Viewing Angle	67 Degrees
Minimum Illumination	0.01 Lux
Camera Output	HD-SDI or Composite (NTSC / PAL)
CCD Type	1/3"
Voltage Input	12V DC Only
Camera Power Consumption	3W
Max Current	0.25 A
Output Connections	HD-SDI - BNC Composite - BNC

PHYSICAL	
Water Ingress Protection Rating	IP68
Housing Face Diameter	88mm (3.47")
Profile (Height) Of Housing	8mm (0.32")
Shaft Length	136mm (5.35")
Housing Type	Marine Bronze Body with Borosilicate Glass Lens
Camera Cable Length	0.5m (1'8") Standard
Hole Cut-Out for Shaft (Hole Cutter Size)	Metric: 57mm Imperial: 2-1/4 " (2.25")
Weight	1.2 Kg (2.6 Lbs)
Bonding	Required (Bonding Connection Provided on Housing)
Isolation Option	Hull Isolation Sleeves Available For Metal Hull Installation

ACCESSORIES	PART NUMBER
HD-SDI to HDMI Converter	39-0050
AC/DC Power Supply (100 - 240V AC)	39-0053
5m Extension Cable	24-0111