

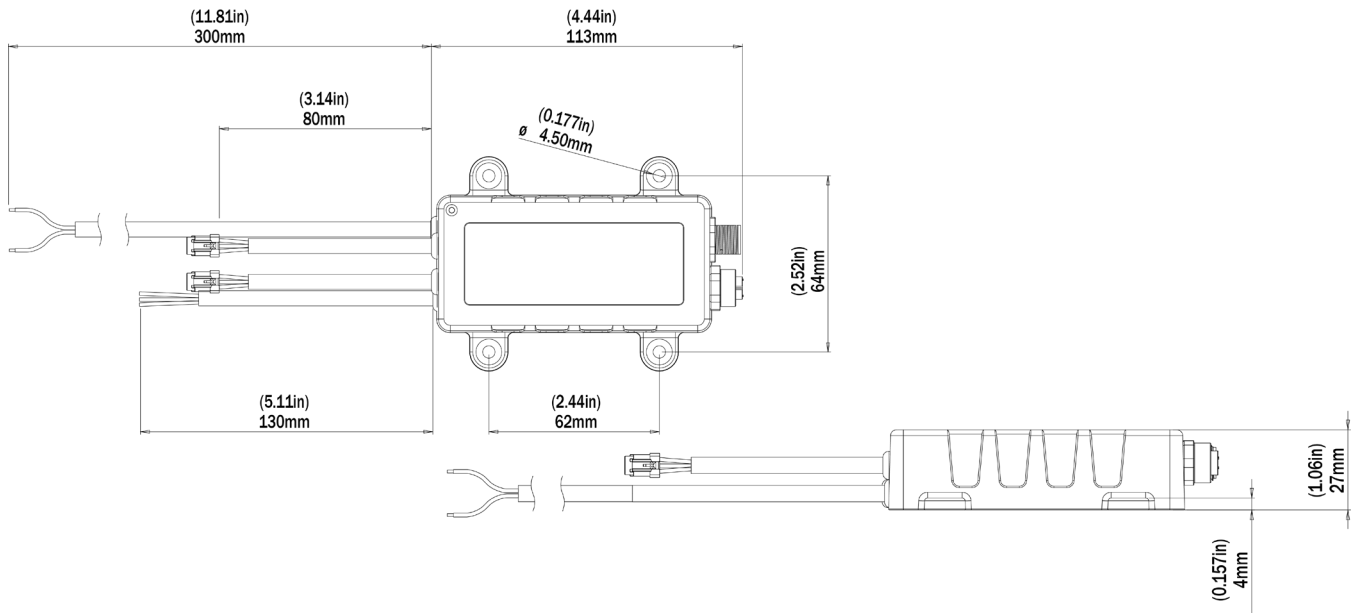


LUMI-LINK™

LUX Speaker Light Driver



PART DESCRIPTION	LUX SPEAKER LIGHT DRIVER
Part Number	60-0430
For Use With	CRGBW LED Marine Speakers RGB LED Marine Speakers
Ingress Protection Rating	IP68
Features	Full Spectrum RGB Tunable and White Color Temperature Tunable (CRGBW Speakers) Full Spectrum RGB Tunable (RGB Speakers) Full Lumi-Link Capability for Lux Smart Lighting Specially Designed for Ease of Installation
Warranty	2 years
Customer Control Options	Lumi-Link Command Center Customer Supplied Momentary Switch



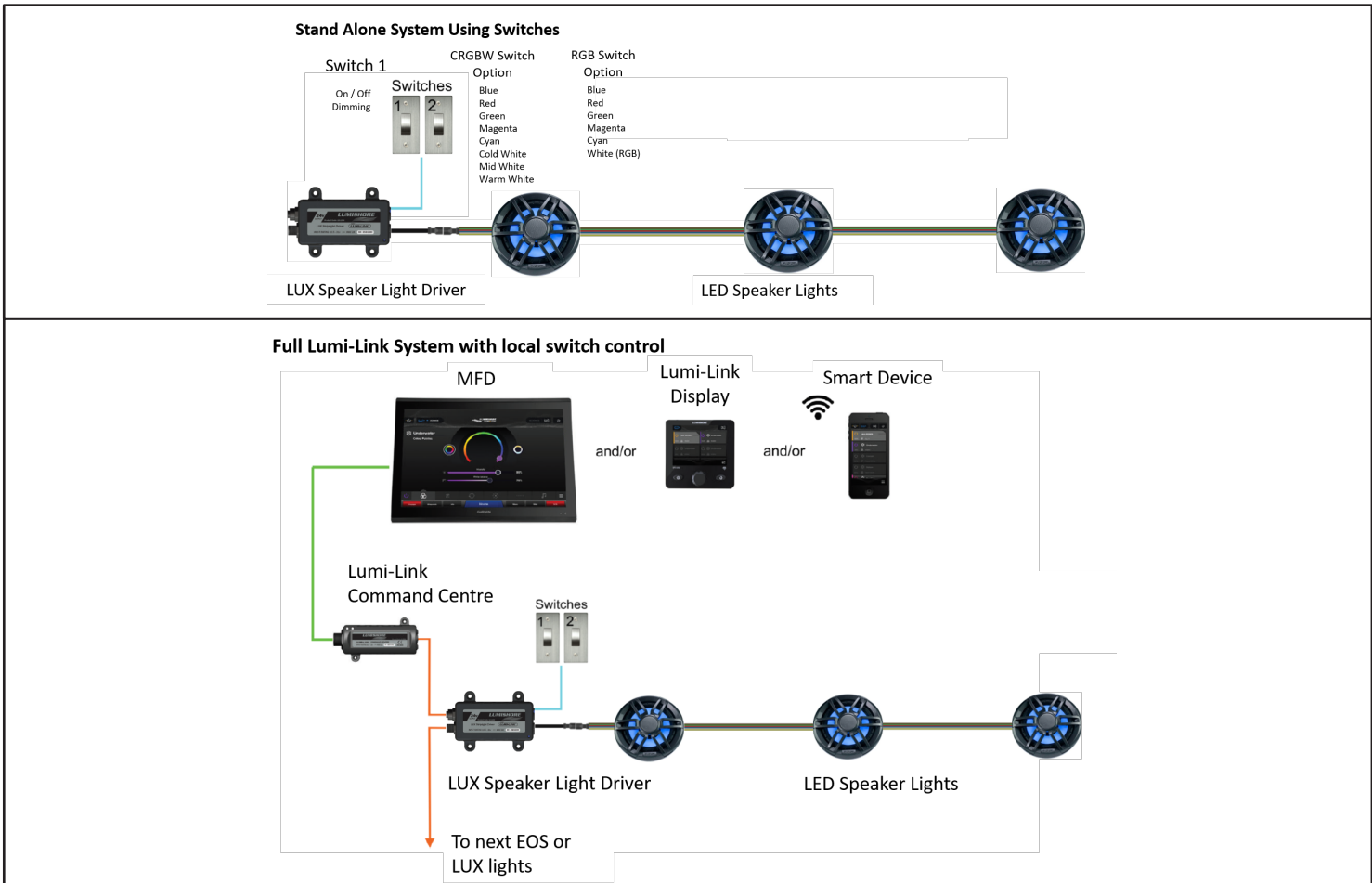
EMEA: Info@Lumishore.com | USA: Sales@LumishoreUSA.com

Units 11 & 12, Ashmount Business Park, Upper Fforest Way, Swansea, SA6 8QR | 7137 24th Court East, Sarasota, FL 34243, USA

TECHNICAL	
Driver	Multi-Channel Internal Driver
Supply Voltage Range	10.5 - 31 V DC
Max Current Draw (12/24V DC)	5.6A / 2.8A
Surge Protection	Yes
ATRB (Automatic Thermal Roll Back)	Yes
Low Voltage Protection	Yes
Auto Power Control	Yes - Intelligent Multi-Channel Power Management
“Soft Start” Electronics Protection	Yes
Reverse Polarity Protection	Yes
In Rush Current Protection	Yes
Power Line Noise Suppression	Yes
Max Cable Length to First Speaker	5m (16.8')
Number of Speakers per Driver	16
ISO 8846 (Ignition Protection)	Yes

PHYSICAL	
Ingress Protection	IP68
Size - Not Including Cable Glands or cables (LxWxH)	113mm x 79mm x 27mm (4.44" x 3.1" x 1.1")
Case Construction	Powder Coated Marine Grade Aluminium

ACCESSORIES	
Accessory	Part number
Lumi-Link Command Center	60-0366
DMX Link Cable - 0.2m	60-0465
DMX Extension Cable - 1m	60-0403
DMX Extension Cable - 5m	60-0404
DMX Extension Cable - 15m	60-0405



60-0430.LUXSPEAKERDRIVER.02.22

EMEA: Info@Lumishore.com | USA: Sales@LumishoreUSA.com

Units 11 & 12, Ashmount Business Park, Upper Fforest Way, Swansea, SA6 8QR | 7137 24th Court East, Sarasota, FL 34243, USA