



**LUX Livewell Light
with Chrome Bezel (Fitting Optional)**

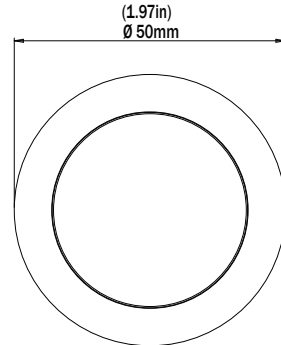
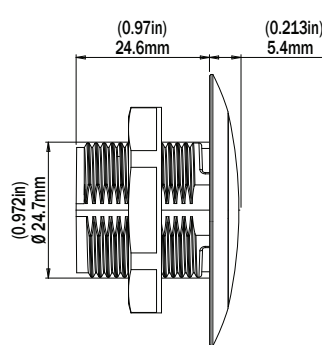
LW25 (IP68)



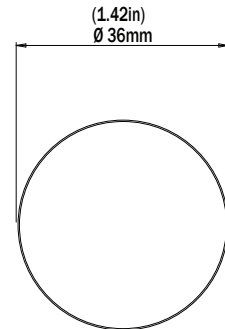
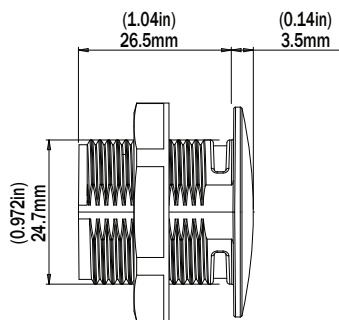
PART DESCRIPTION	LW25 LUX LIVEWELL LIGHT WITH CHROME BEZEL
Part Number	60-0393 - LUX Light Control Module (Required - up to 16 lights per module) 60-0434 - LW25 Livewell Light with Chrome Bezel (Fitting of the Bezel is Optional)
Available Colors	White Color Temperature Tunable (2700K to 6500K) and Full Spectrum RGB in the same LED Downlight
LED Type	Warm White, Cold White, Red, Green and Blue (5 Channel)
Warranty	3 Years
Customer Control Options	EOS-LUX Command Center Customer Supplied Momentary Switch
Electrical Installation	Simple 3 Wire Installation



With Bezel Fitted



Without Bezel Fitted



TECHNICAL

Driver	Multi-Channel Internal Driver
Supply Voltage Range	10.5 - 31 V DC
Max Current Draw (12/24V DC)	0.1A / 0.05A
Surge Protection	Yes
Low Voltage Protection	Yes
Auto Power Control	Yes - Intelligent Multi-Channel Power Management
“Soft Start” Electronics Protection	Yes
Reverse Polarity Protection	Yes
In Rush Current Protection	Yes
Power Line Noise Suppression	Yes
ISO 8846 (Ignition Protection)	Yes

PHYSICAL

Ingress Protection	IP68
Front Diameter (With Bezel)	50mm (1.97")
Profile (With Bezel)	5.4mm (0.21")
Front Diameter (Without Bezel)	36mm (1.42")
Profile (Without Bezel)	3.5mm (0.14")
Depth	30.0mm (1.18")
Hole Diameter for fitting	25mm (1.0")
Construction	Clear Acrylic Body Chrome Finish 316L Stainless Steel Bezel (Fitting Bezel is Optional)
Mechanical Installation	Bulkhead Panel Mount (with marine adhesive)
Weight	34g (1.2 oz)
Installation Location	Livewell / Outdoor / Partially Covered Areas / Indoor

