

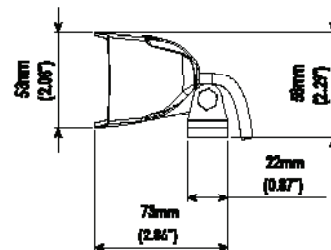
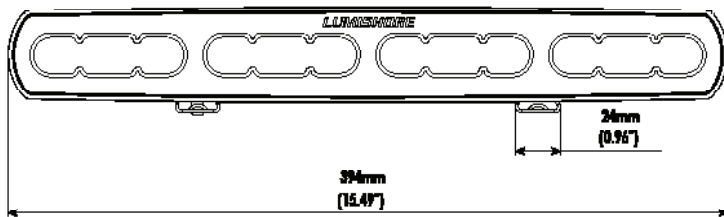
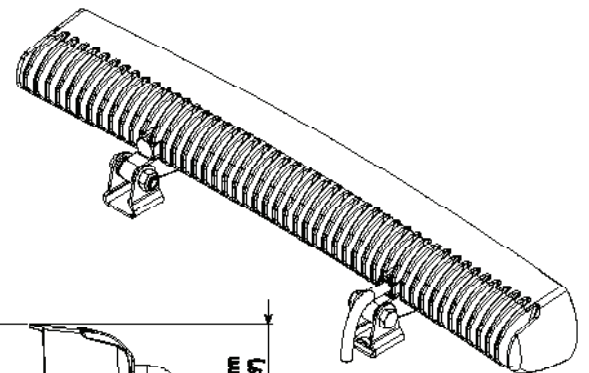
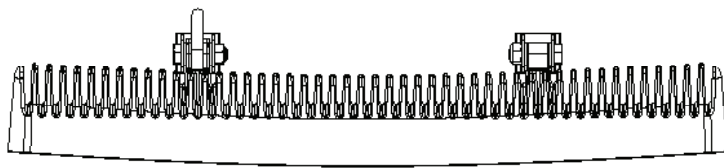


**LUX Series - CRGBW**

# FLOOD LIGHT 18"

ABOVEWATER LUX COLOUR CHANGE LED FLOOD LIGHT

PART DESCRIPTION	LUX LED FLOOD LIGHT 18"
Part Number	60-0393 - LUX Light Control Module 60-0470 - LUX 18" Flood Light
Available Colors	White Color Temperature Tunable (2700K to 6500K) and Full Spectrum RGB in the same LED Flood Light
Lumens	16,875
Fixture Lumens (White)	7,500
Number & Type Of LED	Warm White, Cold White, Red, Green and Blue (5 Channel)
LED Power - HICOB Array	Yes
Typical LED Life	50,000+ Hours
Warranty	3 Years
User Control Options	EOS-LUX Command Center Customer Supplied Momentary Switch
Electrical Installation	Simple 3 Wire Connection
Housing Type	Powder Coated Aluminium Body with Frosted Lens



**LUX Series - CRGBW**

# FLOOD LIGHT 18"

ABOVEWATER LUX COLOUR CHANGE LED FLOOD LIGHT



TECHNICAL	
Driver	Mult-Channel Internal Driver
Supply Voltage Range	10.5–31 V DC
Max Current Draw 12/24V	9.2 A/4.6 A
Surge Protection	Yes (3,000V)
ATRB (Automatic Thermal Roll-Back)	Yes
Low Voltage Protection	Automatic Voltage Roll-Back Control And Low Voltage Cut Out
Auto Power Control	Yes – Intelligent Multi-Channel Power Management
“Soft Start” Electronics Protection	Yes
Reverse Polarity Protection	Yes
In Rush Current Protection	Yes
Power Line Noise Suppression	Yes
Bonding	Not Required
Electrical Installation	Simple 3 Wire Connection (See Installation Manual)

PHYSICAL	
Beam Angle	70° - 90° Oval Beam
Water Ingress Protection Rating	IP68
Light Dimensions including Bracket (LxWxH)	39.4 x 5.3 x 7.3 cm (15.49 x 2.08 x 2.86 in)
Housing Type	Powder Coated Aluminium Body with Frosted Lens
Light Cable Length	50cm (19.7 in)*
Weight	1100g (2.42 Lbs)
Mechanical Installation	Stainless Steel Fixing Brackets

\* Extension distance depends on cable type, refer to user manual for further info