



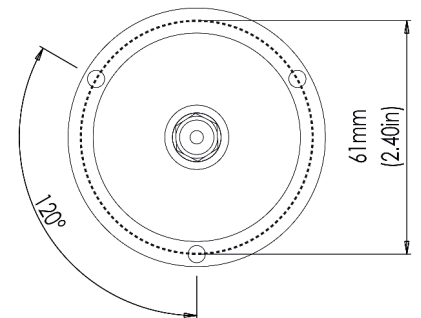
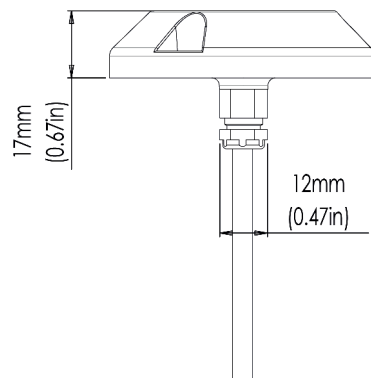
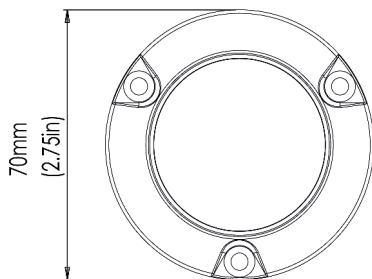
# Full Spectrum RGBW Color Select SMX94

SURFACE MOUNT UNDERWATER LED LIGHT

**eclipse** COMPATIBLE



PART DESCRIPTION		FULL SPECTRUM RGBW SMX94 SURFACE MOUNT UNDERWATER LED LIGHT
Part Number	60-0535 - SMX94 - Color Select	
Available Colors	Full Spectrum RGBW Color Change	
Lumens	13,500	
Fixture Lumens (White)	6,000	
Number & Type Of LED	White-12×5W / Green-12×3W / Blue-12×3W / Red-16×3W	
LED Power - HICOB Array	Yes	
Typical LED Life	50,000+ Hours	
Warranty	3 Years	
User Control Options	On/Off Switch (Third party supplied) ECLIPSE Command Center	
Electrical Installation	Simple 2 Wire Connection ECLIPSE Command Center	
Housing Type	Marine Bronze Body with Borosilicate Glass Lens	
Compact Size	Diameter: 70mm (2.75") Height: 17mm (0.67")	



EMEA: [Info@Lumishore.com](mailto:Info@Lumishore.com) | USA: [Sales@LumishoreUSA.com](mailto:Sales@LumishoreUSA.com)

Units 11 & 12, Ashmount Business Park, Upper Fforest Way, Swansea, SA6 8QR | 7137 24th Court East, Sarasota, FL 34243, USA

Full Spectrum RGBW Color Change

# SMX94

SURFACE MOUNT UNDERWATER LED LIGHT



## TECHNICAL

Driver	Multi-Channel Internal Driver
Supply Voltage Range	10.5–31 V DC
Max Current Draw 12/24V	3.5 A/1.5 A
Surge Protection	Yes (3,000V)
ATRB (Automatic Thermal Roll-Back)	Yes
Low Voltage Protection	Automatic Voltage Roll-Back Control And Low Voltage Cut Out
Auto Power Control	Yes – Intelligent Multi-Channel Power Management
“Soft Start” Electronics Protection	Yes
Reverse Polarity Protection	Yes
In Rush Current Protection	Yes
Power Line Noise Suppression	Yes
Bonding	Not Required
Electrical Installation	Simple 2 Wire Connection or ECLIPSE Command Center
Max Vessel Length	7.5m (25')
Hull Material Type	All (Isolation Kit Must Be Used On Conductive Hull Materials)

## PHYSICAL

Beam Angle	90°
Water Ingress Protection Rating	IP68
Light Face Diameter	70mm (2.75")
Profile (Height) Of Housing	17mm (0.67")
Housing Type	Marine Bronze Body with Borosilicate Glass Lens
Light Cable Length	2m (6'6") Standard (Can be extended *)
Hole Cut-Out for Cable (Drill bit size)	Metric: 13.5mm Imperial: 17/32" (0.5313")
Weight	435g (0.95 Lbs)
Mechanical Installation	3 x Marine Bronze Screws (Provided)

\* Extension distance depends on cable type, refer to user manual for further information

## ACCESSORIES

ACCESSORIES	PART NUMBER
SMX M Series Hull Isolation Kit	39-0203
ECLIPSE Command Center	60-0495
Expansion Module (Single Zone)	60-0496
Expansion Module (Double Zone)	60-0497

## LIGHTING SYSTEM FUNCTIONALITY (ON/OFF SWITCH)

On/Off Control	Yes
Color Cycle Selection	Yes
Dimming Control	No

## LIGHTING SYSTEM FUNCTIONALITY (ECLIPSE COMMAND CENTER)

*From Smart Device/MFD:*

On/Off Control	Yes
Dimming Control	Yes
Zone Control	Yes
Select Color Gradient on Wheel	Yes
Sound to Light	Yes

*From Momentary Switch (Optional):*

On/Off Control	Yes
Dimming Control	Yes

EMEA: [Info@Lumishore.com](mailto:Info@Lumishore.com) | USA: [Sales@LumishoreUSA.com](mailto:Sales@LumishoreUSA.com)

Units 11 & 12, Ashmount Business Park, Upper Fforest Way, Swansea, SA6 8QR | 7137 24th Court East, Sarasota, FL 34243, USA

ECLIPSE-SMX94-RGBW.12.23