

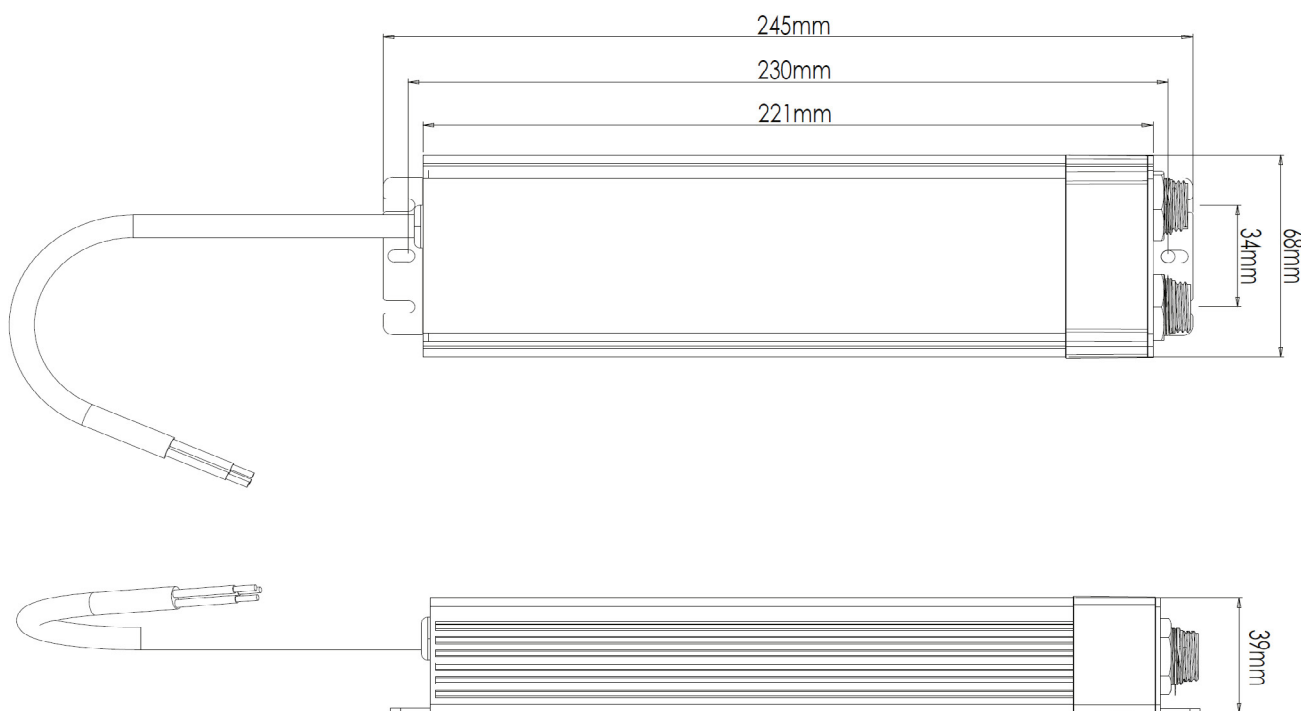
# ORA SY Series AC Driver

## TRX802 / SY220 / SY225

SY WELD-IN UNDERWATER LED LIGHT DRIVER

Available Colors	Single Color (White, Warm White and Blue)
For Use With	TRX 802, SY220 & SY225 Ora Series Lights
Warranty	3 Years*
User Control Options	On/Off Switch

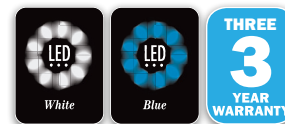
\*Subject to commissioning review



# ORA SY Series AC Driver

## TRX802 / SY220 / SY25

SY WELD-IN UNDERWATER LED LIGHT DRIVER



### TECHNICAL

Driver	External Driver
Supply Voltage Range	90-240V AC
Max Current Draw (AC)	TRX802 - 0.7A SY220 - 1.3 A SY225 - 1.3 A
Heat Dissipation	TRX802 - 10W SY220 - 11 W SY225 - 11W
Surge Protection	Yes (3,000V)
ATRB (Automatic Thermal Roll-Back)	Yes
Low Voltage Protection	Automatic Voltage Roll-Back Control, and Low Voltage Cut-Out
Auto Power Control	Yes - Intelligent Multi-Channel Power Mgmt
"Soft Start" Electronics Protection	Yes
Reverse Polarity Protection	Yes
In Rush Current Protection	Yes
Power Line Noise Suppression	Yes

### PHYSICAL

Ingress Protection	IP 68
Weight	1.1 Kg
Size - not including connectors (LxWxH)	245mm x 68mm x 39mm (9.6" x 2.7" x 1.5")
Max cable length from driver to light	15m

### LIGHTING SYSTEM FUNCTIONALITY

On / Off Switch Input	Yes
Strobe Input	Yes
Dimming	Yes

### PART NUMBERS

SY220 ORA AC Driver - White	39-0166
SY220 ORA AC/DC Driver - Blue / Warm White	39-0172
SY225 ORA AC Driver - White	39-0294
SY225 ORA AC Driver - Warm White	39-0295
TRX802 ORA AC/DC Driver*	39-0169