



## SUPRA SY Series Integrated AC Driver DMX

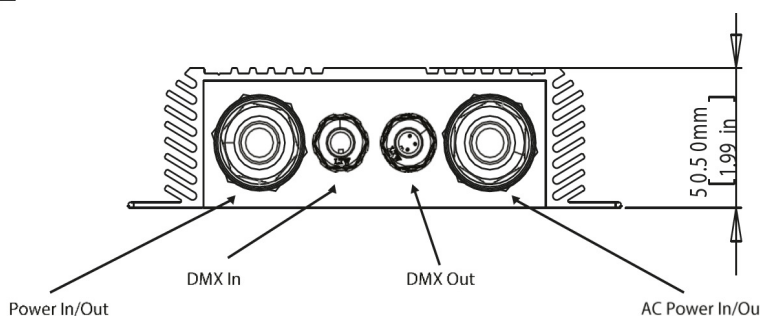
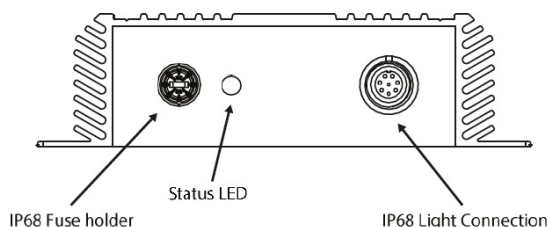
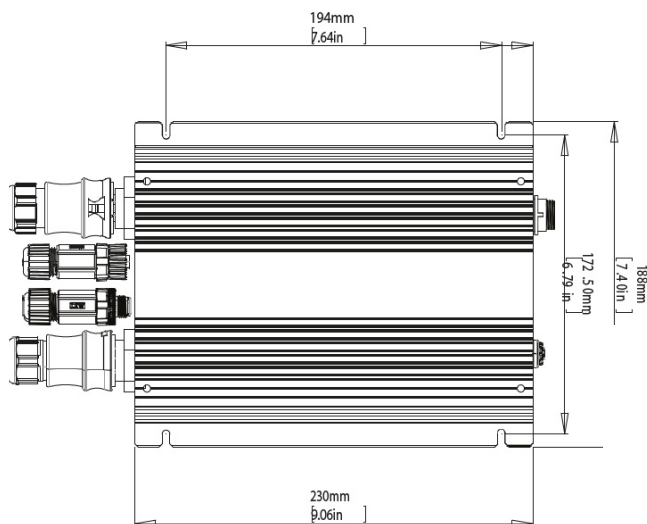
SY250 / SY300 / SY310

SY WELD-IN UNDERWATER LED LIGHT DRIVER



Available Colors	Supra (White and Blue, or White and Warm White)
For Use With	SY 250 / SY 300 / SY310 Supra Series Lights
Warranty	3 Years*
User Control Options	DMX Controller (3rd Party)

\*Subject to commissioning review



## SUPRA SY Series Integrated AC Driver DMX

### SY250 / SY300 / SY310

SY WELD-IN UNDERWATER LED LIGHT DRIVER



#### TECHNICAL

Driver	External Driver
Supply Voltage Range	90-240V AC
Max Current Draw (AC)	SY250 - 1.7A SY300 / 310 - 2.1A
Heat Dissipation	SY250 - 19W SY300 / 310 - 24W
Surge Protection	Yes (3,000V)
ATRB (Automatic Thermal Roll-Back)	Yes
Low Voltage Protection	Automatic Voltage Roll-Back Control, and Low Voltage Cut-Out
Auto Power Control	Yes - Intelligent Multi-Channel Power Mgmt
“Soft Start” Electronics Protection	Yes
Reverse Polarity Protection	Yes
In Rush Current Protection	Yes
Power Line Noise Suppression	Yes
Communication Protocol	Lumi-DMX (DMX-512/RDMX Compatible)
No. of DMX Addresses per Driver	3

#### PHYSICAL

Ingress Protection	IP 68
Weight	2.2Kg
Size - not including connectors (LxWxH)	230mm x 188mm x 50.5mm (9.1" x 7.4" x 2.0")
Max cable length from driver to light	Up to 13m total

#### LIGHTING SYSTEM FUNCTIONALITY

White	Yes
Blue / Warm White	Yes
Dimming Control	Yes
Individually Addressable Lights	Yes
DMX/RDMX Control (via 3rd party controller)	Yes

#### PART NUMBERS

SY250 Integrated AC Supra DMX Driver	39-0192
SY300 / 310 Integrated AC Supra DMX Driver	39-0191