

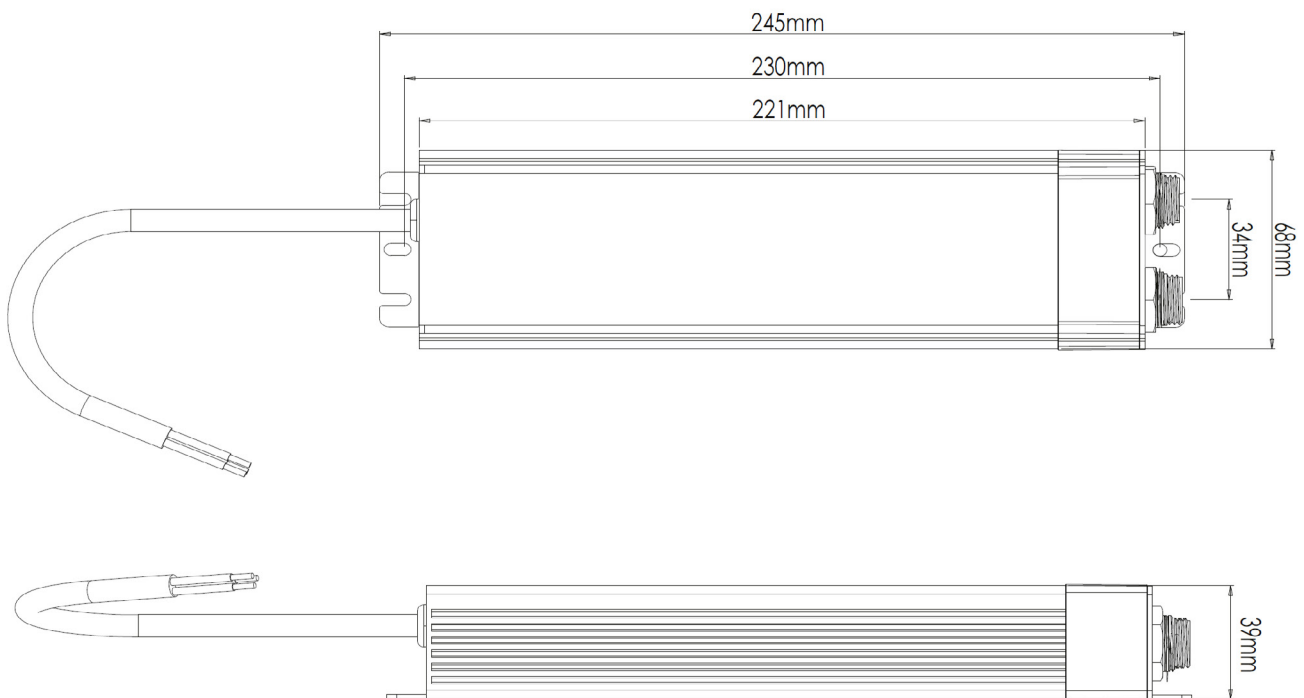
SUPRA SY Series AC Driver

TRX802 / SY225 / SY250 / SY300 / SY310

SY WELD-IN UNDERWATER LED LIGHT DRIVER

Available Colors	SUPRA Dual Colour Lights (White & Warm White / White & Blue)
For Use With	TRX802 / SY 225 / SY 250 / SY 300 / SY310 Supra Series Lights
Warranty	3 Years*
User Control Options	On/Off Switch

*Subject to commissioning review



SUPRA SY Series AC Driver

TRX802 / SY225 / SY250 / SY300 / SY310

SY WELD-IN UNDERWATER LED LIGHT DRIVER



TECHNICAL

Driver	External Driver
Supply Voltage Range	90-240V AC
Max Current Draw (AC)	TRX802 - 0.7A SY225 - 1.3A SY250 - 1.4A SY300 / 310 - 2.1A
Heat Dissipation	TRX802 - 10W SY225 - 11W SY250 - 14W SY300 / 310 - 18W
Surge Protection	Yes (3,000V)
ATRB (Automatic Thermal Roll-Back)	Yes
Low Voltage Protection	Automatic Voltage Roll-Back Control, and Low Voltage Cut-Out
Auto Power Control	Yes - Intelligent Multi-Channel Power Mgmt
"Soft Start" Electronics Protection	Yes
Reverse Polarity Protection	Yes
In Rush Current Protection	Yes
Power Line Noise Suppression	Yes

PHYSICAL

Ingress Protection	IP 67
Weight	1.1 Kg
Size - not including connectors (LxWxH)	245mm x 68mm x 39mm (9.6" x 2.7" x 1.5")
Max cable length from driver to light	15m

LIGHTING SYSTEM FUNCTIONALITY

White Only or Blue Only	Yes
White Only or Warm White Only	Yes
White & Blue or White & Warm White Selectable	Yes
Strobe Input	Yes
Dimming	Yes

PART NUMBERS

TRX802 AC Supra Driver	39-0169
SY225 AC Supra Driver	39-0292
SY250 AC Supra Driver	39-0167
SY300 / 310 AC Supra Driver	39-0168