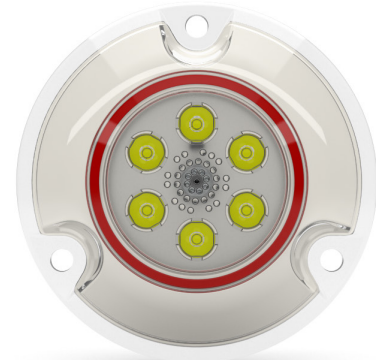


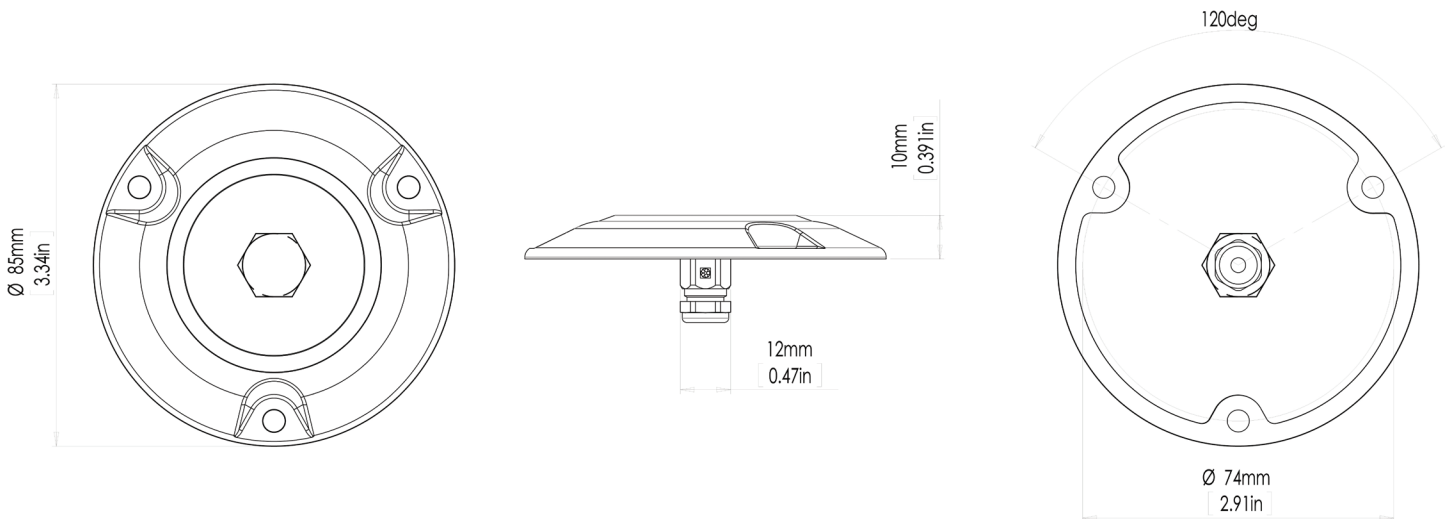
ORA Series - Single Color

SMX11

SURFACE MOUNT UNDERWATER LED LIGHT

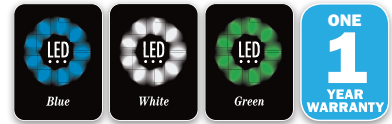


PART DESCRIPTION	ORA SMX11 SURFACE MOUNT UNDERWATER LED LIGHT
Part Number	Blue: 60-0154 White: 60-0155 Green: 60-0156
Available Colors	Single Color (Blue, White or Green)
Lumens	2,475
Fixture Lumens (White)	1,100
Number & Type Of LED	6 x 3W High Power LEDs
LED Power - HICOB Array	Yes
Typical LED Life	50,000+ Hours
Warranty	1 Year
User Control Options	RM12 Remote Control



ORA Series - Single Color SMX11

SURFACE MOUNT UNDERWATER LED LIGHT



TECHNICAL	
Driver	Internal Driver
Supply Voltage Range (12 V ONLY)	10.5–14.5 V DC
Max Current Draw 12V	1 A
Surge Protection	Yes (3,000V)
ATRB (Automatic Thermal Roll-Back)	Yes
Low Voltage Protection	Automatic Voltage Roll-Back Control And Low Voltage Cut Out
“Soft Start” Electronics Protection	Yes
Reverse Polarity Protection	Yes

PHYSICAL	
Beam Angle	60°
Water Ingress Protection Rating	IP68
Light Face Diameter	85mm / 3.34”
Profile (Height) Of Housing	10mm / 0.39”
Housing Type	Marine Grade Polymer
Light Cable Length	2m / 6’6”
Hole Cut-Out for Cable	13mm / 0.51”
Weight	84g (0.18 Lbs)
Bonding	Not Required
Installation	3 x A4 stainless steel screws (Provided)

ACCESSORIES	PART NUMBER
RM12 Remote Control	60-0125