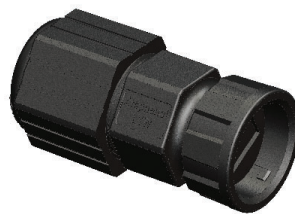


SUPRA BRIDGE Installation Guide

Please read the following pages before attempting installation to ensure complete understanding of the LUMISHORE SUPRA Bridge



PARTS INCLUDED



1 x FIELD INSTALL RJ45 IP67 COVER KIT
(39-0235)

SUPRA Bridge Installation Instructions

Before you start...

- Always ensure that the vessel’s power source and battery are disconnected or isolated prior to installation.
- A qualified professional should carry out both the electrical and mechanical installation.
- The SUPRA lighting system should be fully installed before connecting the SUPRA Bridge.
- The SUPRA Bridge must be mounted in a dry location and on a flat (not curved) surface away from any sources of heat or vibration
- The SUPRA Bridge works with the SUPRA Display and or compatible Multi-function Displays (MFD). - check the compatibility of your MFD prior to installing the SUPRA Bridge. The MFD may require a software update.
- The SUPRA Bridge has an accessible SD card slot for future software upgrades. When mounting, future access to this SD card slot should be taken into consideration.

Connection Options...

The SUPRA Bridge is a cross platform device. Via ethernet, it can connect to a single or multiple MFD network, connect to a Lumishore SUPRA Display or be controlled by a smart Phone/tablet (via Wi-Fi).

Compatible MFD’s include the following...

MFD COMPATABILITY	<ul style="list-style-type: none"> - Garmin (OneHelm Enabled) - Raymarine - Axiom (Lighthouse Partner App) - Navico - Simrad (NSO EVO3 and EVO2, NSS EVO3 and Go**), B&G (Zeus3 Glass Helm, Zeus3 and Vulcan) - Furuno (Models TBC)
-------------------	---

The SUPRA Display can be used if there are no MFD’s on the vessel or if additional access points are required around the vessel. For full details of the SUPRA Display see SUPRA Display installation instructions.

Via an on-board Wi-Fi network (either through the MFD Wi-Fi or through the SUPRA Display on-board Wi-Fi) the system can be controlled from a smart device. Full instructions for this are included in the SUPRA Bridge user manual.

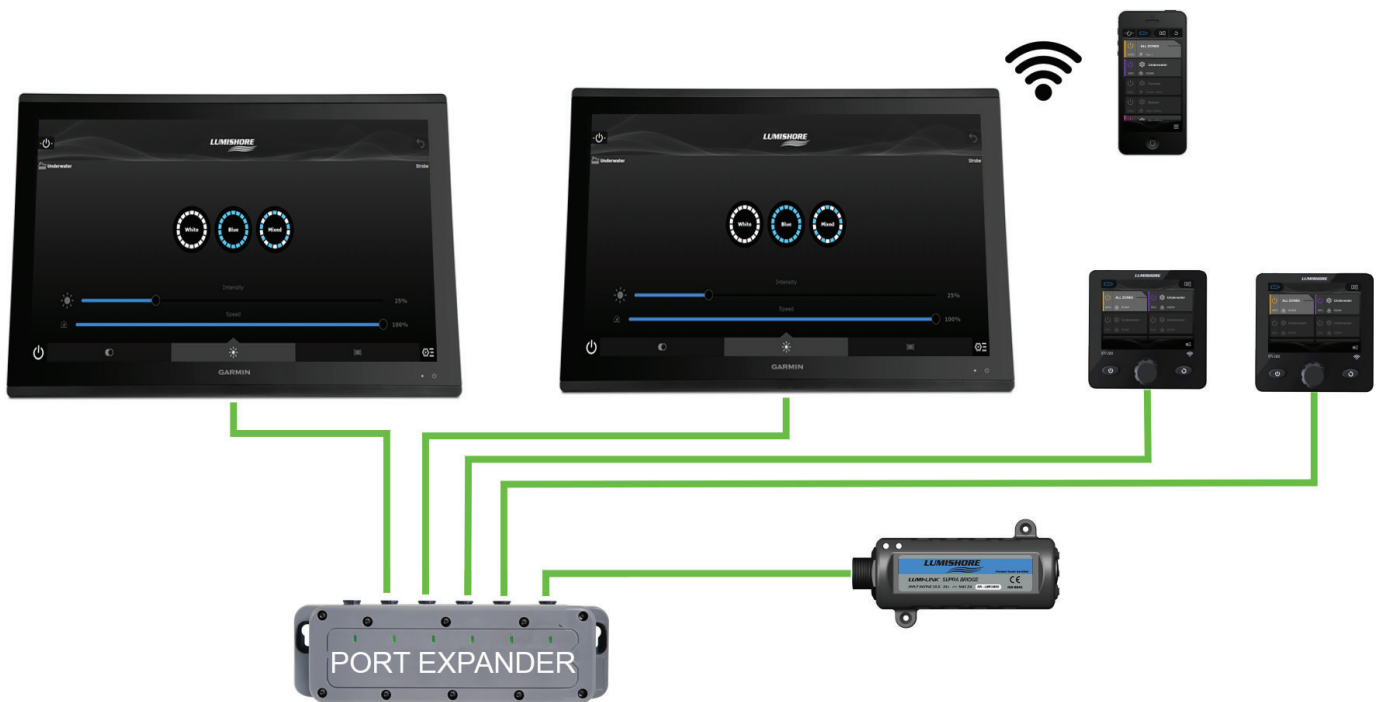
Single MFD Connection



SUPRA Display Connection



Multiple MFD Connection



Note: use a MFD manufacturer specific Network expansion port - consult with your MFD installation guide or contact a dealer for further advice

Connecting the SUPRA Bridge to the SUPRA Display or MFD

For direct connection to the Lumishore SUPRA Display any standard ethernet network cable can be used. Connection to the various brands of MFD's are brand specific. The following diagrams show the components required to connect the SUPRA Bridge to each brand.

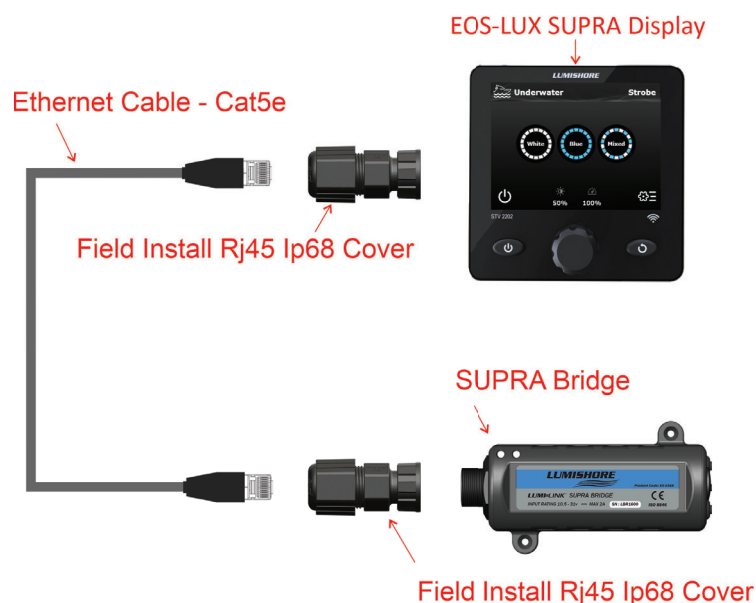
The length of network cable depends on where the SUPRA Bridge has been installed relative to the Display or MFD. Each MFD manufacturer offers different lengths of network cable, check your installation length before ordering.

Lumishore supplies a Field install RJ45 IP67 cover to make your connections to the SUPRA Bridge waterproof. The cover should be used on all installations. Note: The internal support may or may not be required depending on the type of Ethernet connector molding.

Field install IP67 RJ45 Cover Assembly

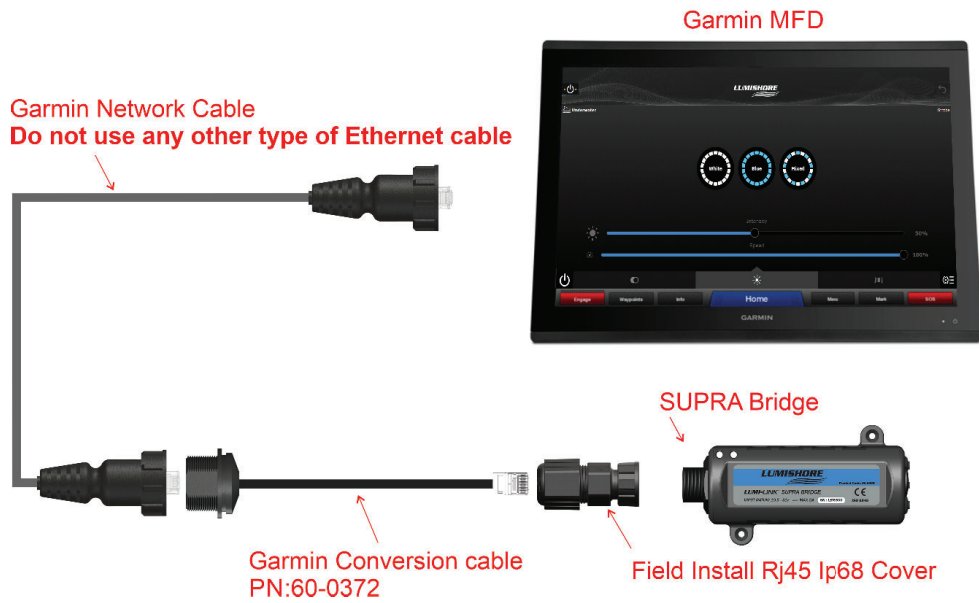
PLEASE REFER TO RJ45 IP67 ASSEMBLY INSTRUCTIONS SUPPLIED WITH RJ45 COVER KIT (39-0235)

SUPRA Display - Use standard Ethernet Cat5e cable

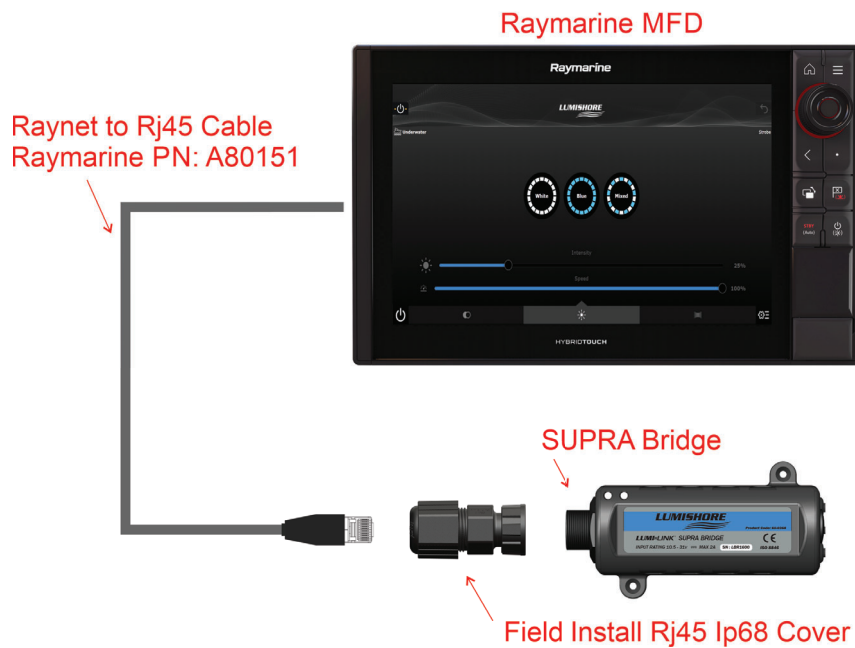


Garmin MFD Install - Use Garmin Conversion Cable PN: 60-0372 and Garmin Network Cable.

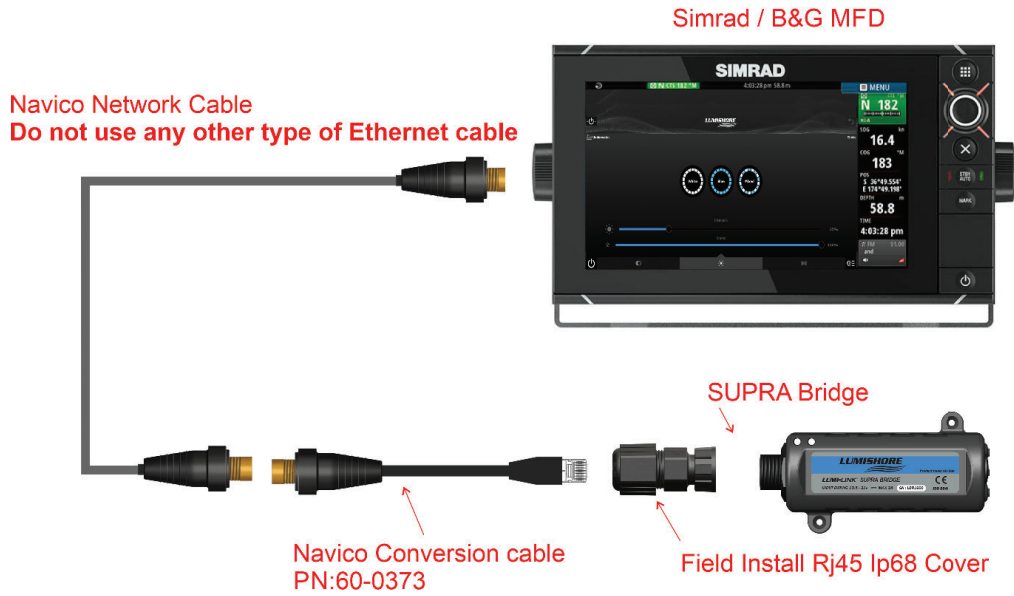
(Note: The Garmin Conversion cable MUST be installed - only use Garmin network cables)



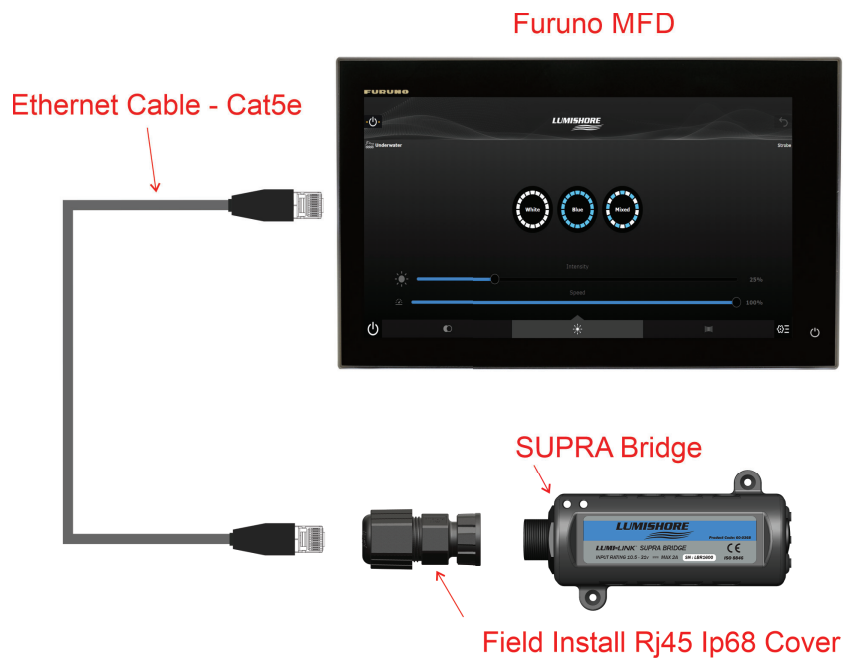
Raymarine MFD Install - Use Raynet to RJ45 Cable - Raymarine PN: A80151



Simrad & B&G MFD Install - Use Navico Conversion Cable PN: 60-0373



Furuno MFD Install - Use Standard Ethernet Cat5e cable



SUPRA Bridge Connections

The SUPRA Bridge uses proprietary data messages to communicate between the lights and controller. The SUPRA Bridge can only be used to control Lumishore SUPRA products.

The SUPRA Bridge is plugged into the Data IN port on the SUPRA Hub (see example diagrams on the following pages) .

- The SUPRA Bridge is for 12/24volt DC operation (10-31volt input). Under no circumstances should the Bridge be connected directly to Mains AC voltage.
- Always use a suitable fuse or circuit breaker to protect the SUPRA Bridge and each element of the system.



3 Pin M12 Data out connector:

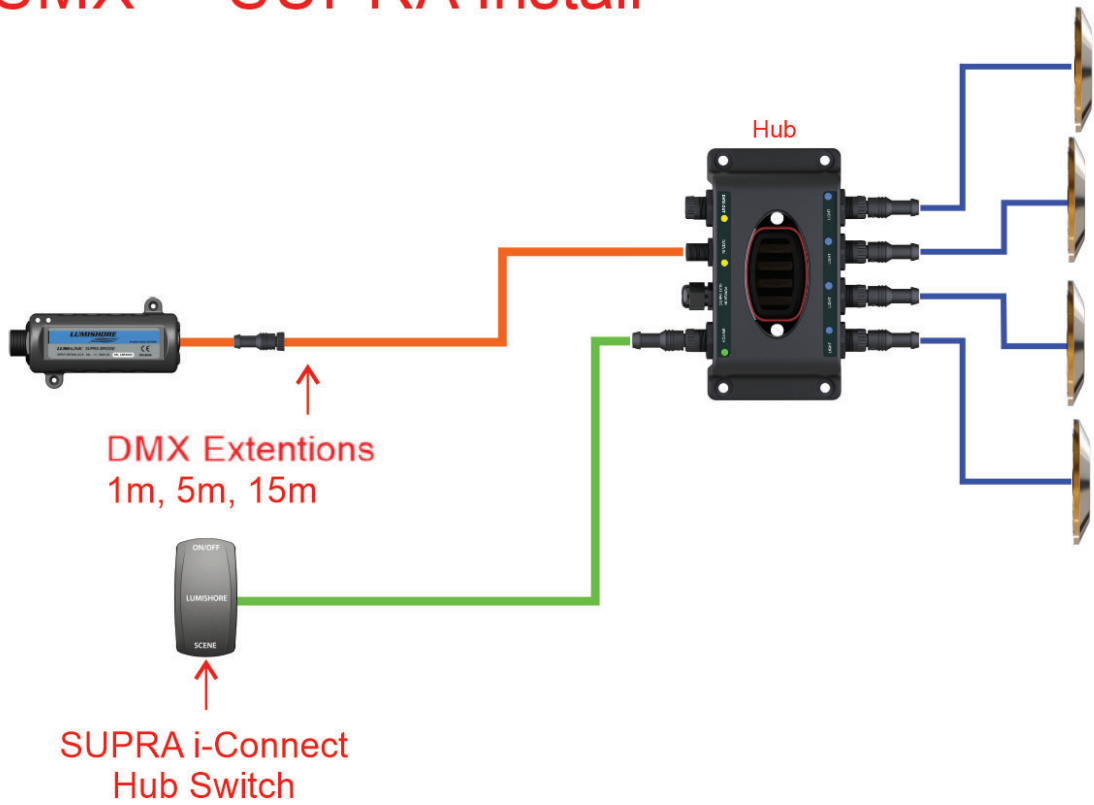
Plug the 3-Pin M12 Connector directly into the Data IN port of the SUPRA Hub. The cables can be extended using DMX extension cables.

Pre-molded DMX cables are available in 1 meter, 5 meter and 15 meter lengths as required. Multiple cables can be combined if a further distance is required.

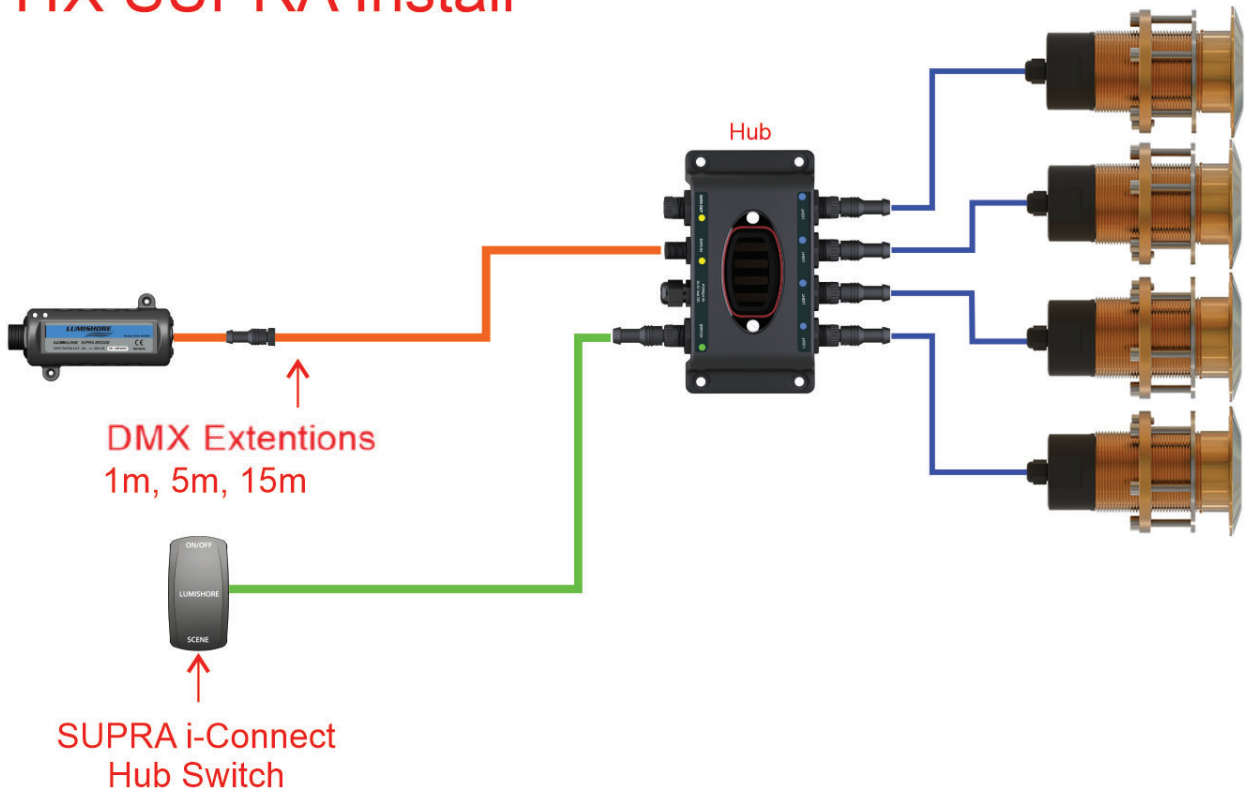
LENGTH	PART NUMBER
1m	60-0403
5m	60-0404
15m	60-0405

SUPRA Underwater Light installation Example diagrams:

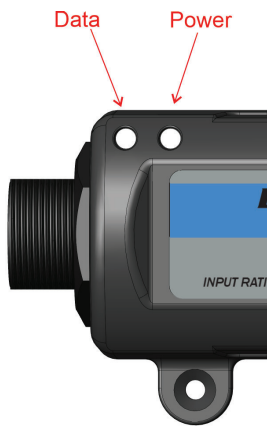
SMX SUPRA Install



TIX SUPRA Install



SUPRA Bridge - Status LED's



LED Status	Power LED	Data LED
Solid ON	Healthy	Healthy - Data Being Received
OFF	No Power	No Power
Flashing	N/A	Healthy - Ready For Data

If power to the SUPRA Bridge is lost temporarily then the system may not fully function until you exit to the Home screen on the MFD, and then re-select the Lumishore icon.

If there are multiple MFDs in use, and one of the MFDs is used to access a set-up mode (e.g. Light Set-Up), then the other MFDs will be locked out and will display a message. If this message is seen, exit to the home screen. Once the set-up is completed the system can be used as normal.

Warranty

LUMISHORE Ltd warrants its lighting systems and associated lights and accessories to be free from defects in workmanship for a period of three years, starting from the date of original purchase. Should your lighting system have a problem during this period, please contact your dealer, boat manufacturer or broker as soon as you become aware of the defect.

Misuse, abuse, improper installation, neglect, improper shipping, damage caused by disasters (e.g. fire, flood, storm and lightning), installation by unqualified personnel, unauthorized repair or modification or non-approved installations will void this warranty. For the avoidance of confusion and doubt, non compliance with all installation guidelines, maintenance and operating instructions in this document constitute non conformance with warranty terms.

Full warranty details including exclusions are available at www.Lumishore.com.