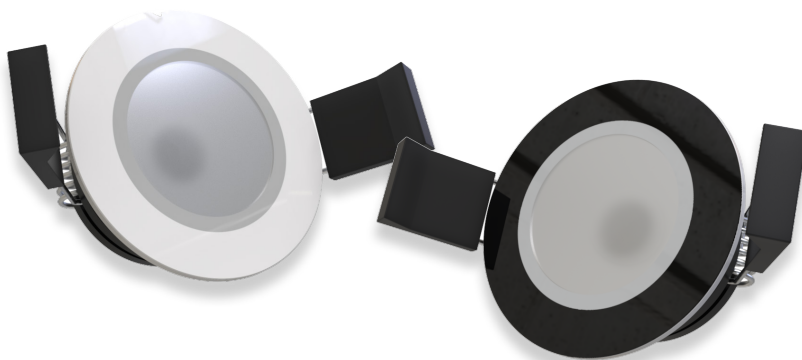


LUX Downlight DL50 Installation Guide

Full spectrum color tuneable lighting, including cold and warm white light

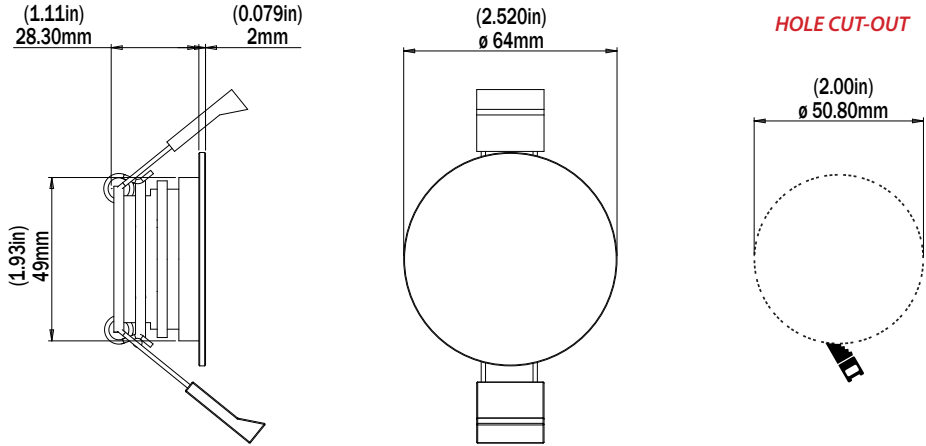
Please read the following pages before attempting installation



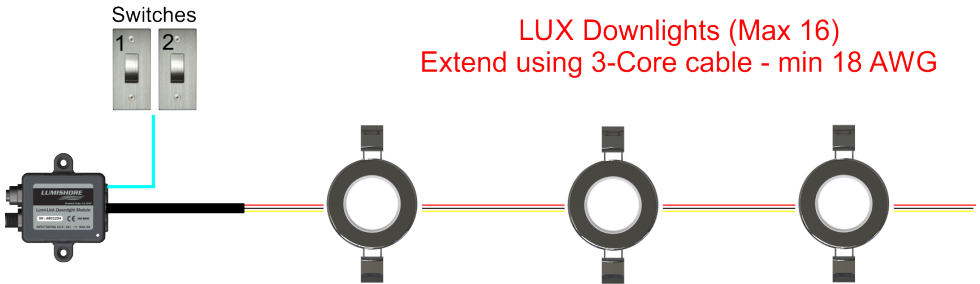
Before you start...

- Always ensure that the vessel's power source and battery are disconnected or isolated prior to installation.
- A qualified professional should carry out both the electrical and mechanical installation.
- The Lux Downlight Is designed to be used in conjunction with the Lumishore Lux Downlight module (see diagram below). Do not connect to any other 3rd party lighting control products or dimmers.
- The lux downlight is fully sealed and can be installed inside or outside, it can be installed in wet areas but is not designed to be permanently submerged in water.
- Choose a location – the light must be mounted on a flat – not curved surface.
- The rear of the light may get warm to touch, it will not cause damage to the mounting surface.

Basic Dimensions:



Installation Diagram



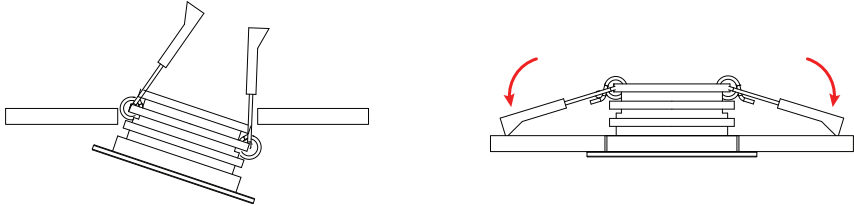
NOTE: The Lumishore Lux downlight DL50 requires connection to the Lumishore Lux Downlight Module. For full electrical installation and wiring diagrams please refer to the Lux Downlight Module installation guide.

Power rating = 4.5watts per light

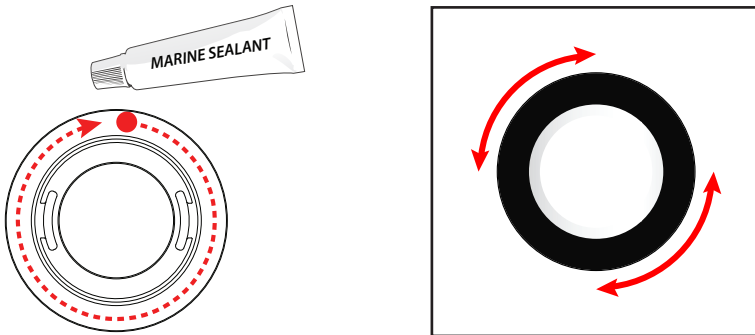
Typical current draw = 0.37A @ 12Volt / 0.18A @24Volt

Mechanical Installation:

Using a hole saw cut a 2in hole, always cut the hole smaller than needed and file to the correct size to ensure a snug fit. For indoor installations use the supplied spring clips, gently pull back the spring clips and feed the light into the hole, releasing the spring clips as the light is positioned.



For exterior installations or wet areas it is recommended that the light is fixed in place using a suitable marine sealant / adhesive. **Remove the spring clips** from the fixture and dispense a small amount of adhesive around the glass bezel. Push into place using a slight rotation of the light to spread the adhesive evenly. Clean any excess adhesive using a soft cloth and soap and water – **DO NOT USE CHEMICAL CLEANERS.**



Warranty

LUMISHORE Ltd warrants its lighting systems and associated lights and accessories to be free from defects in workmanship for a period of three years, starting from the date of original purchase. Should your lighting system have a problem during this period, please contact your dealer, boat manufacturer or broker as soon as you become aware of the defect.

Misuse, abuse, improper installation, neglect, improper shipping, damage caused by disasters (e.g. fire, flood, storm and lightning), installation by unqualified personnel, unauthorized repair or modification or non-approved installations will void this warranty. For the avoidance of confusion and doubt, non compliance with all installation guidelines, maintenance and operating instructions in this document constitute non conformance with warranty terms.

Full warranty details including exclusions are available at www.Lumishore.com.

The LUX Downlight Control Module is designed to work with Lumishore LUX strip lighting products **ONLY**, do not use with other Strip light brands, this will invalidate the warranty.