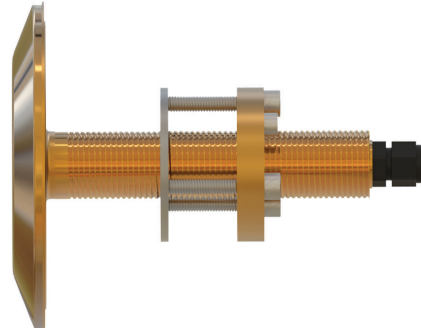


THX 404, THX 804 & THX 1604 Thru-Hull Light & Driver Installation and Operating Guide



Congratulations! You have purchased a LUMISHORE advanced technology underwater light. Every care has been taken to ensure your Thru-Hull light arrives in perfect condition, so please enjoy the ultimate experience in underwater lighting.

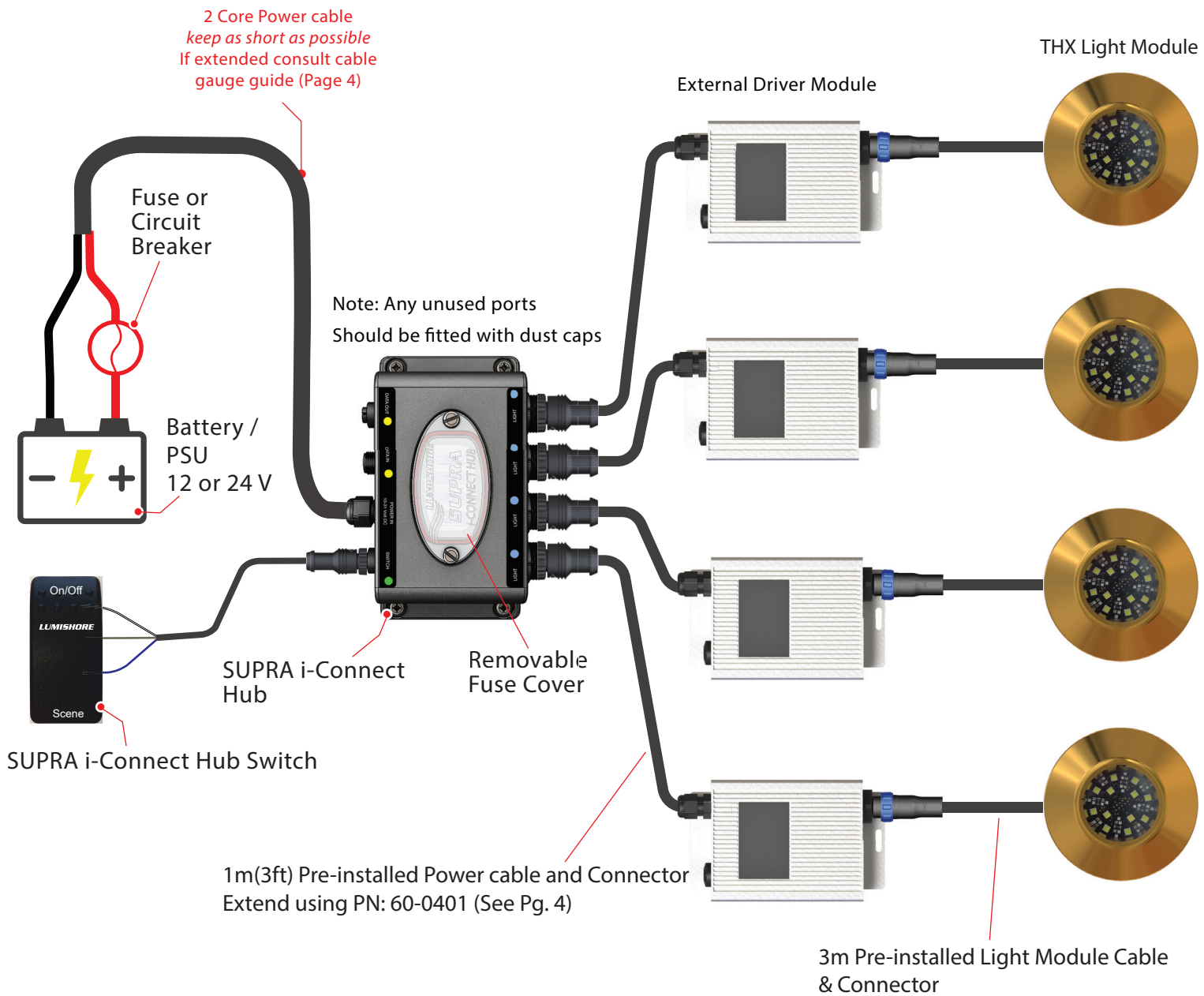
LUMISHORE Thru-Hull high intensity lights are designed for those owners who prefer the integrity of a thru-hull installation in a light that employs the most powerful, efficient and cost effective underwater LED lighting on the market today. The LUMISHORE Thru-Hull is suitable for many sizes and types of water-craft, including Sports Boats, Cruisers, Yachts and Super Yachts. LUMISHORE Thru-Hull LED lights come with a compact electronic driver module to ensure trouble free operation for years to come.

Please read the following pages before attempting installation to ensure complete understanding of the LUMISHORE LED lights.

BEFORE YOU START

- **High Intensity LED light – Do not stare into the LED module at close proximity.**
- Always ensure that the vessel's power source and battery are disconnected or isolated prior to installation
- A qualified professional should carry out both the electrical and mechanical installation. If in doubt please contact LUMISHORE. refer to product support section
- Always use a suitable fuse or circuit breaker to protect the complete system.
- The Thru-Hull can be installed into GRP (Glass Reinforced Plastic or Fibreglass). For wooden hull, metal hull or carbon fibre installations an isolation kit will be required.
- The light should be installed 6" - 10" (150-250mm) below the minimum load water line.
- For best results install the lights between 2.5ft (0.8m) and 6.5ft (2m) apart.
- Never try to install or remove light with the vessel in the water.
- Lights should not be exposed to any temperatures in excess of 150°F (65°C). For example, next to hot engine components or where exhaust emissions could be expelled onto the light while underwater.
- Do not over tighten the retaining bolts. Follow the instructions exactly. A force of **3Nm / 26 in-lbs** on each bolt should not be exceeded.
- All LUMISHORE products should have a bonding to the DC system via bonding strap for galvanic protection. **This is not required for lights that are fully submerged front and back.**
- Choose a location - The light must be installed onto a flat (not curved) surface. Mount on transom or side hull only.

The THX SUPRA lighting system will typically consist of several Lumishore THX lights and a SUPRA i-Connect Hub and SUPRA i-Connect switch. These can be powered from a DC power source (e.g. battery), or an AC/DC power supply via a suitable fuse or circuit breaker.



- Plan the cable routing and work out the Power cable lengths. Check the cable AWG required in the tables on Pg. 4
- Mount The SUPRA i-Connect Hub and External Driver Modules in a dry, well ventilated location.
- Each light is supplied with 3m (10ft) length cable with pre installed connector. Do Not Cut or Extend.
- Each External Driver module has 1m (3ft) power cable - Power Extension cables are available, see Pg. 4 for further details.
- Install the correct fuse for the model light and vessel voltage - see fuse table Pg. 4.
- Ensure the fuse cover is reinstalled correctly.
- All Power connections need to be made waterproof using a suitable junction box or waterproof connectors.
- Ensure any unused ports on the i-Connect hub have the waterproof caps installed.
- All pre installed connectors are keyed - do not force and ensure they are aligned correctly.

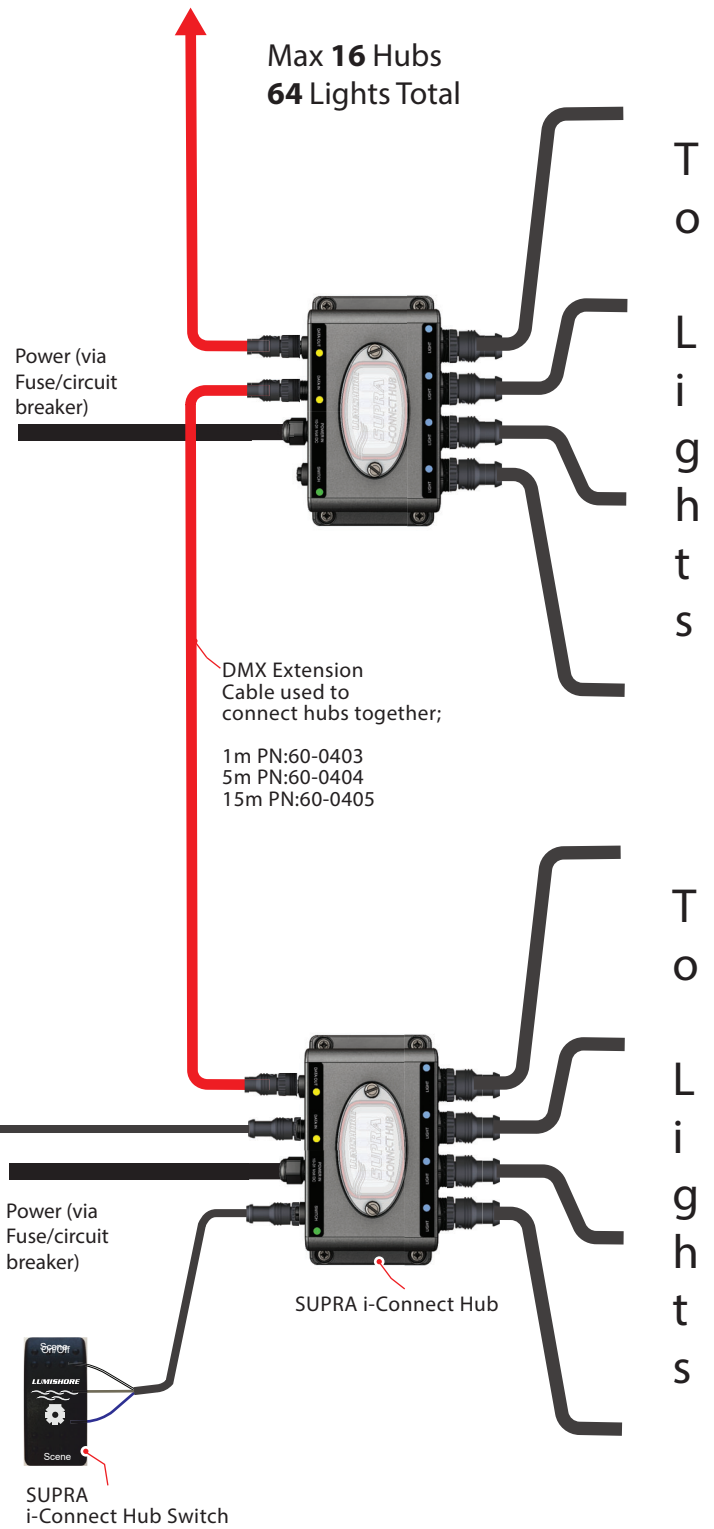


Ensure correct electrical polarity. Incorrect installation will invalidate warranty!

Optional MFD Control



>4 Lights Install



Power Cable Extension

It is important to use the correct cable gauge when extending the Power cables.

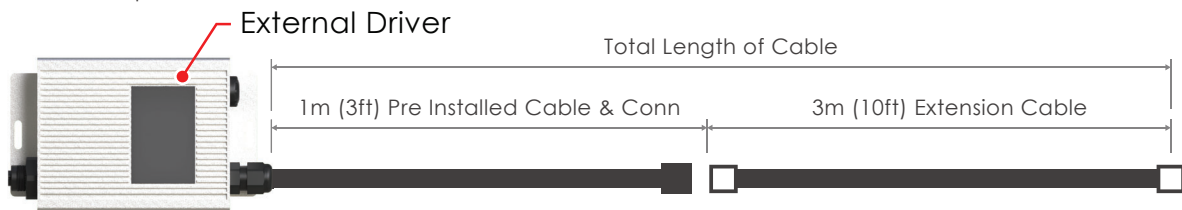
Note: To avoid Excessive Voltage drop keep the Power cable as short as possible

Total Length (to Hub & back)	Vessel Voltage	
	12V	24V
0-10ft	8AWG	12AWG
10-20ft	6AWG	8AWG
20-30ft	4AWG	6AWG
30-40ft	2AWG	4AWG
40-50ft	2AWG	4AWG
50-60ft	1AWG	2AWG

Light Cable Pre Made Extension

The light cable can be extended using the Lumishore pre-terminated extension cables PN: 60-0401, For the maximum extension length follow the table below.

Extension example;



Model	Max Length of Cable	
	12V	24V
THX404 Driver	4M	7M
THX804 Driver	Do Not Extend	7M
THX1604 Driver	N/A	4M

Max Current Ratings and Fuse table

Model	Driver Type	Max Current (12V DC)	Max Current (24V DC)
THX 404	DC	6A	3A
THX 804	DC	8.8A	4.4A
THX 1604	DC	N/A	6.5A

Fuse Table

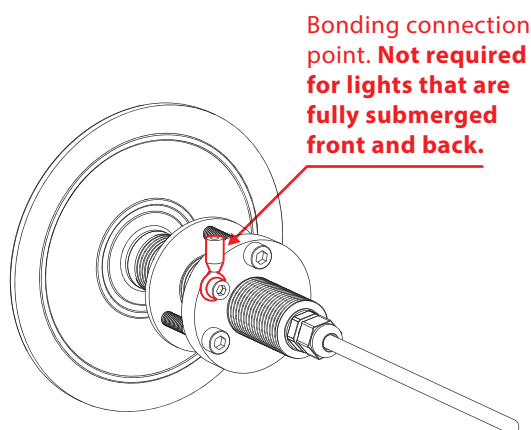
Model	Fuse Rating	
	12V	24V
THX404	10A	5.0A
THX 804	15A	7.5A
THX 1604	N/A	10A

Bonding Attention: Failure to bond the lights properly and maintain the appropriate protection will invalidate the LUMISHORE warranty.

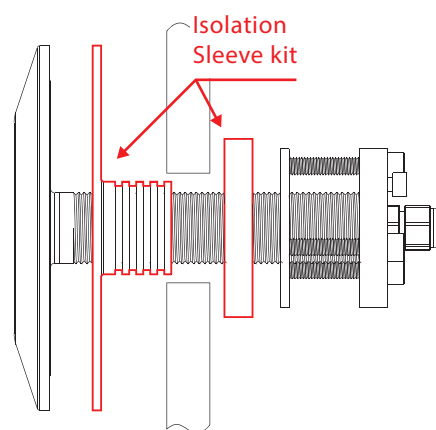
LUMISHORE lights should be connected to the vessel's DC Bonding system to ensure protection from electrolytic / galvanic corrosion. All bonding connections should be fully checked prior to returning the vessel to the water. LUMISHORE lights have integrated circuitry to protect lights from external issues, but these are dependent upon correct bonding.

Installation into a wood, metal or carbon fibre hull requires an isolation sleeve kit. In this case **DO NOT** Bond lights.

NOTE : Certain models are designed to be installed fully submerged (front and back). In this instance **DO NOT** Bond lights



Metal Hull - Isolation Sleeve



Model	Part Number
THX404	60-0545
THX804	60-0547
THX1604	60-0548

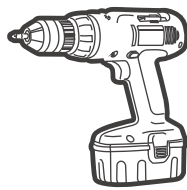
Installation Considerations

- Location - Positioning will be dependent on both external and internal obstacles; consideration should be given to installation wiring and internal access within the vessel. Ideally the light modules should be installed 6" to 10" (150-250mm) below the water line and spaced between 2.5ft to 6.5ft (0.8-2m) apart.
- Select a flat surface, make sure that both the internal and external surfaces of the hull are even and parallel. It may be necessary to sand or grind the surface.
- A hole will be drilled to allow the Thru-Hull light to be inserted. Care must be taken to ensure there is unrestricted access inside the hull
- The light is temperature sensitive and must not be located close to the exhaust or other heat sources.
- If multiple lights are installed, each light should be evenly spaced to ensure the best water illumination. The number of lights and the spacing on your vessel will depend on a few factors: vessel size, location of lights and water clarity.

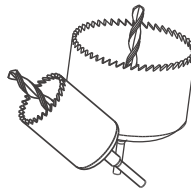
Tools Required



5mm Allen Wrench



Drill/Driver



Hole-saw



Marine Sealant
(Use only 3M 4200)

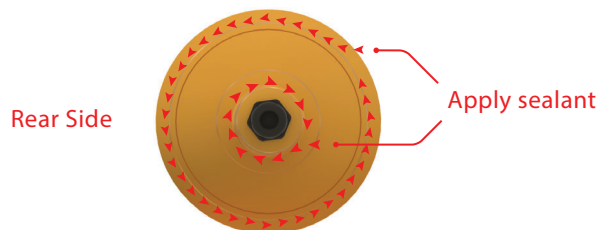


Rags for clean-up

1. Measure the position of the lights on a flat part of the hull. Mark carefully, and double-check for internal obstacles.
2. Check the required hole size against the table below. Make sure you choose the correct bit for the hull material. It is critical that the hole is not oversized and always stays perpendicular to the hull. Failure to do this will cause excess stress on the light.

Model	Hole Size	Hole Size W/Delrin Sleeve
THX 404	27mm (1.0625")	34mm (1" 11/32)
THX 804	27mm (1.0625")	34mm (1" 11/32)
THX 1604	27mm (1.0625")	34mm (1" 11/32)

3. The exposed inner hull surface must be properly sealed to prevent water intrusion into the hull before the Thru-Hull is secured in place.
4. Before inserting the Thru-Hull light ensure that the hull surface is free from dirt and grease and remove any existing anti-foul from the hull surface.



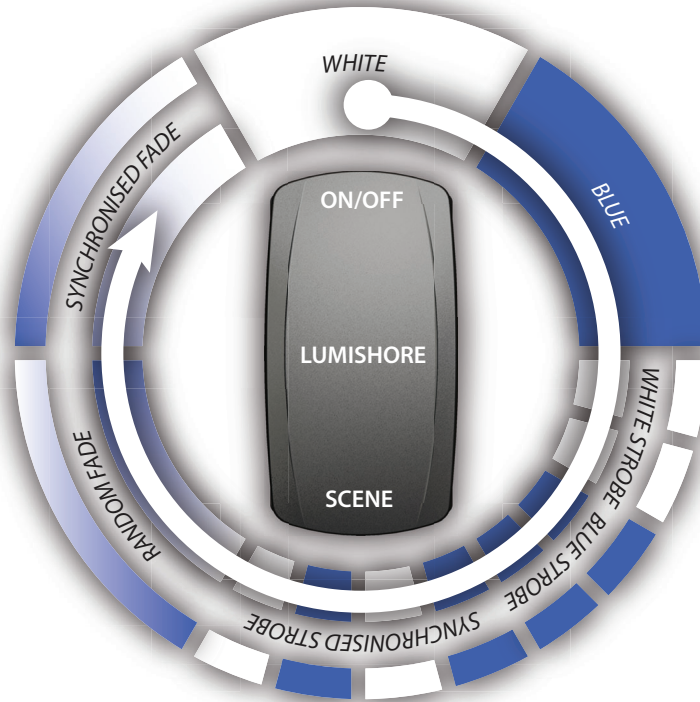
Note: Do not use an alcohol-based solvent as this may have an adverse effect on the sealant

5. Using an approved adhesive (3M 4200 Marine (recommended) or similar), apply liberally a continuous bead of sealant around the entire circumference of the sealant groove, on the base of the stem and on the shaft of the Thru-Hull.
6. Feed the connector and cable through the hole in the hull avoiding any strain on the cable. Gently insert the stem of the Thru-Hull light assembly through the hole in the hull.
7. Apply even pressure with a slight circular motion until the Thru-Hull is flush with the hull surface.
8. The light installation requires a two step torquing process. From inside the vessel, feed the supplied washer down the shaft of the Thru-Hull fitting. Screw the locking nut in place. Tighten the Allen head retaining bolts so they are FINGER TIGHT ONLY (Less than 1Nm / 8 in-lbs). DO NOT fully tighten the Allen head bolts at this stage as it will push the sealant out - this will be done in in step 10.
9. Remove excess sealant that is squeezed from behind the light with a rag.
10. Allow the sealant to cure according to the sealant manufacturer's instructions. Once fully cured, using a Torque Driver (5mm Allen Head), re-tighten each retaining bolt and additional 1/4 turn (force of no more than than **3Nm / 26 in-lbs**). **DO NOT TO EXCEED THIS FORCE AS DAMAGE TO THE LIGHT MODULE OR HULL OF THE VESSEL MAY OCCUR.**
11. Attach the vessel's bonding protection to the bonding bolt on the locking ring.

i-Connect Switch Operation

The i-Connect switch has two operations – “on/off” and “Scene”. Pressing “Scene” advances the light to the next function:

- White
- Blue
- White strobe
- Blue strobe
- White / Blue Strobe
- Random Fade
- Synchronised Fade



Note: Switching the system off for 5 seconds and on again will restart the sequence in white mode.

MFD Light Control using Lumi-Link Bridge

Using the optional SUPRA bridge module, all light controls can be displayed onto certified MFD units. For full instructions consult SUPRA bridge module Instruction leaflet.

Certified MFD





Testing the Lights

The underwater lighting system should always be tested before the boat goes back in the water. Check that each light comes on, and all lights change in sequence as per the system operation section above. See the problem solving guide for advice on resolving any issues.

Once the boat is back in the water, check for any water ingress on the installed lights. Any ingress should be dealt with immediately. The lights should be checked several times over the first 24-hours and periodically after that to ensure installation is satisfactory.

Maintenance and Cleaning

The locking nut and retaining bolts should be inspected on a regular basis to ensure they are kept tight. LUMISHORE recommends general inspection of the light module, driver and cable attachments every month.

LUMISHORE lights require simple cleaning. Lights should be checked often to ensure the light body and lens area are free from sea growth. In the event that your light requires cleaning, we recommend the use of a soft cloth or soft bristled brush. The glass should be kept clean with a plastic scraper or soft brush. Regular cleaning of the lens will ensure that the light module delivers maximum optical output. DO NOT use an abrasive cloth or cleaning agent as permanent damage to the lens may occur.

DO NOT use any abrasive cleaning materials as these may damage the body of the light.

DO NOT use any cleaning fluids that contain solvents, acids or alkalis.

DO NOT clean using pressure washing or sandblasting equipment.

Slight discolouration of body may occur over life. This does not affect performance, and is not subject to warranty.

Due to nature and high build quality it may on rare occasions be possible to see small levels of condensation, this is normal for high power LEDs and will disappear after cooling and does not harm operation in any way.

No chemicals, cleaners, chemical sprays or sandblasting should ever be applied / used on lights — this will negate warranty

To prolong device lifetime and prevent marine growth build up, a good quality anti-fouling system must be used to coat the external body of the device. This should be renewed regularly.

Product Support

If you have questions or comments, please e-mail info@lumishore.com or call USA (941) 405-3302, United Kingdom +44(0)1792 398500 .

Warranty

LUMISHORE Ltd warrants its lighting systems and associated lights and accessories to be free from defects in workmanship for a period of three years, starting from the date of original purchase. Should your lighting system have a problem during this period, please contact your dealer, boat manufacturer or broker as soon as you become aware of the defect.

Misuse, abuse, improper installation, neglect, improper shipping, damage caused by disasters (e.g. fire, flood, storm and lightning), installation by unqualified personnel, unauthorized repair or modification or non-approved installations will void this warranty. For the avoidance of confusion and doubt, non compliance with all installation guidelines, maintenance and operating instructions in this document constitute non conformance with warranty terms.

Full warranty details including exclusions are available at -

www.lumishore.com

Troubleshooting

In the event of one or more of the lights not lighting up then check the LED status on the driver (at the back of the light). The LED will either be continually ON (healthy), OFF (no power to driver) or flashing. Please refer to the table below for what the number of flashes means and what action to take.

LED Status	Meaning	Action to take / Things to check
No LED light on driver	No power to driver	Check fuse / breaker Check connections Check voltage at input to driver connections
Solid LED	Power On	Driver is receiving voltage and operating properly Check the switch is operating correctly
Flashing 2 times	Low input voltage to driver	Check power connections or battery voltage
Flashing 3 times	Light temp too high	Could happen when light is out of water or next to exhaust
Flashing 4 times	Driver temp too high	Driver is mounted too close to an engine or exhaust
Flashing 7 times	LED array voltage out of range	Check the connections between light and driver Check light in each colour to determine if all colours are working
Flashing 8 times	Light not detected	Light is not connected or cable is cut or pinched Light has been connected incorrectly to the driver
Continuous rapid flashing	Driver program corrupt	Reset driver by switching off power for 1 minute, and then switching on again Contact LUMISHORE if problem persists

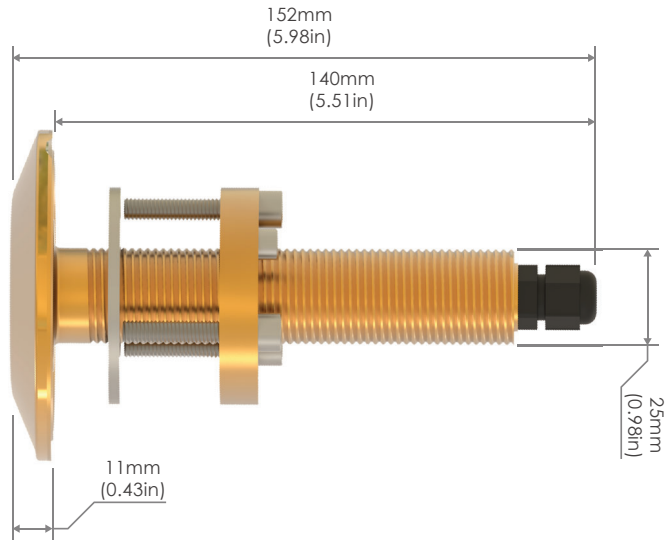
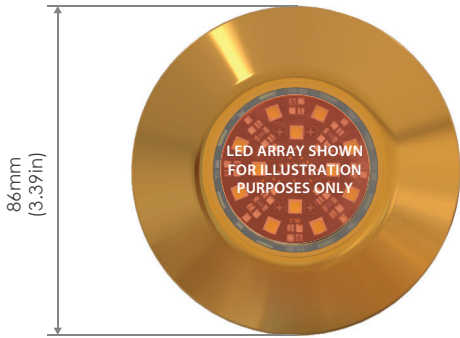
In the event of an issue, record the serial number(s) of the light(s) and contact your local dealer.



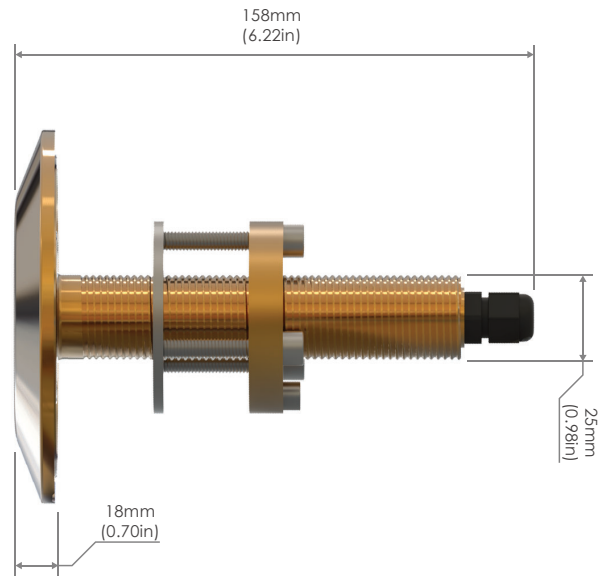
If a light does not switch on, or function normally, it should be disconnected from the power source

Thank you!
For purchasing LUMISHORE lights

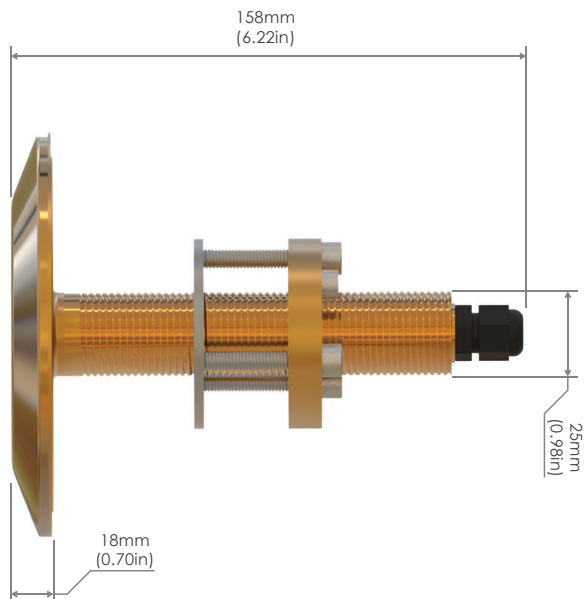
THX404 Light Unit



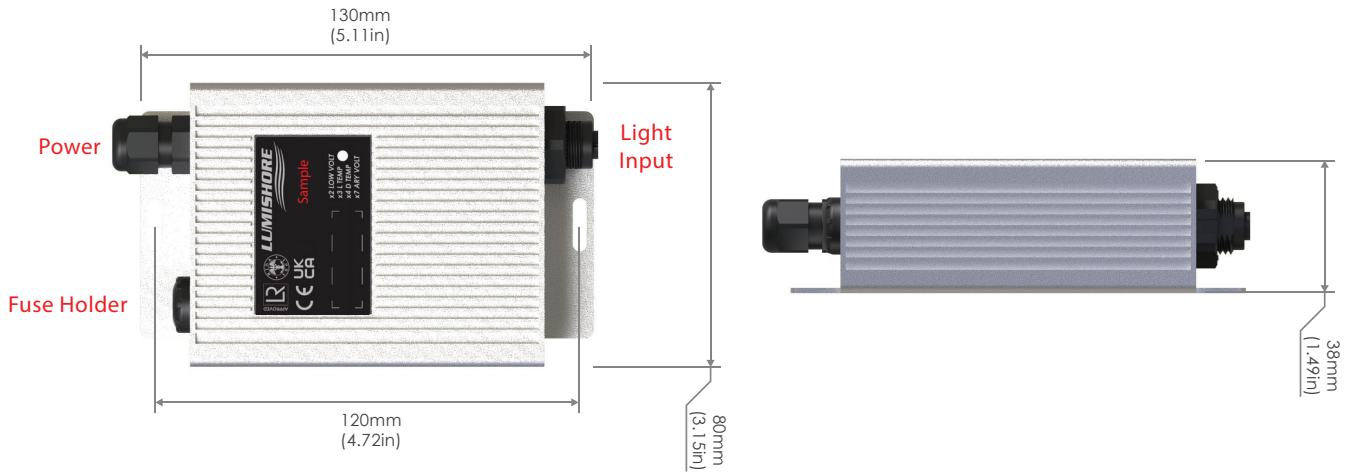
THX804 Light Unit



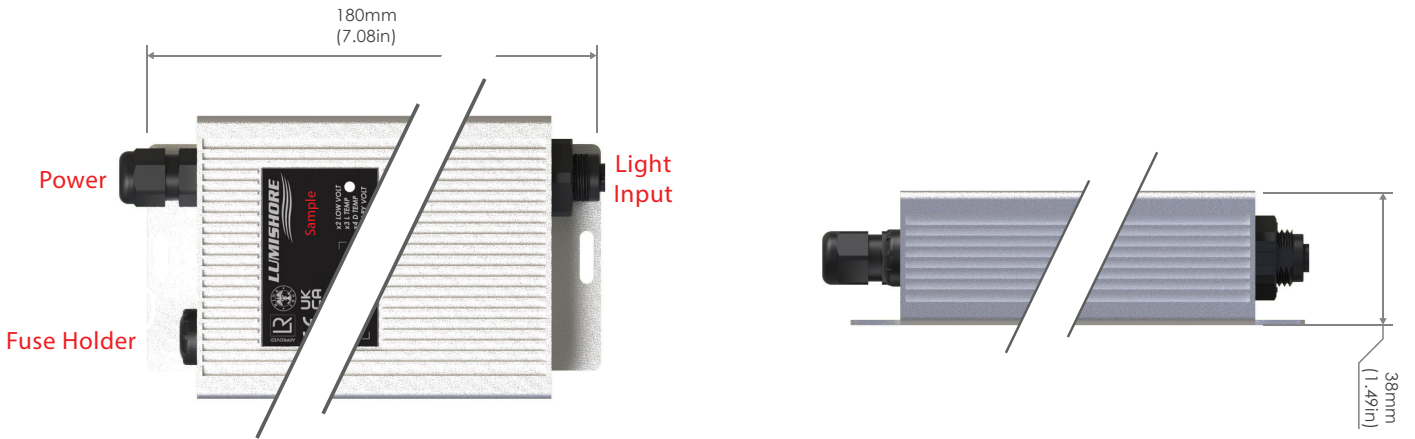
THX1604 Light Unit



THX403 Driver Module



THX803 Driver Module



THX1603 Driver Module

