



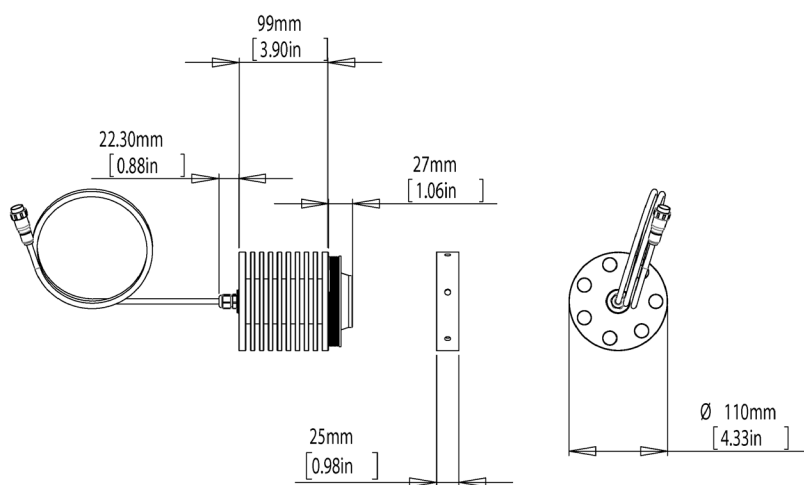
SUPRA SY Series - Dual Color

TRX802

SY RETROFIT UNDERWATER LED LIGHT
(FOR UPGRADE OF HID OR OTHER LED WELD-IN UNDERWATER LED LIGHTING SYSTEMS)

Part Number	Light Module - 60-0277
Available Colors	Dual Color (Blue & White)
Lumens	18,000
Fixture Lumens (White)	8,000
Number & Type Of LED	White - 36 x 10W, Blue - 48 x 3W
LED Power - HICOB Array	Yes
Typical LED Life	50,000+ Hours
Warranty	3 Years*
User Control Options	Switch

* Subject to commissioning review



SUPRA SY Series - Dual Color

TRX802

SY RETROFIT UNDERWATER LED LIGHT
(FOR UPGRADE OF HID OR OTHER LED WELD-IN UNDERWATER LED LIGHTING SYSTEMS)



TECHNICAL	
Driver	Multi-Channel External Driver
Supply Voltage Range	90 - 250 V AC (24 V DC option also available)
Max Current Draw (AC)	0.6 A
Surge Protection	Yes (3,000V)
ATRB (Automatic Thermal Roll-Back)	Yes
Low Voltage Protection	Automatic Voltage Roll-Back Control, and Low Voltage Cut-Out
Auto Power Control	Yes - Intelligent Multi-Channel Power Management
“Soft Start” Electronics Protection	Yes
Reverse Polarity Protection	Yes
In Rush Current Protection	Yes
Power Line Noise Suppression	Yes

PHYSICAL	
Beam Angle	110°
Water Ingress Protection Rating	IP68
Light Diameter	110mm (4.33")
Shaft Length	99mm (3.90")
Construction	Light Body: Anodized Aluminum (5083), Adaptor Ring: Stainless Steel (316L)*
Weight	2 Kg
Light Cable Length	3m (9'8") Standard

LIGHTING SYSTEM FUNCTIONALITY

SY SERIES INTEGRATED AC DRIVER

White	Yes
Blue / Warm White	Yes
Dimming Control	Yes
Individually Addressable Lights	Yes
DMX/RDMX Control (via 3rd party controller)	Yes

SY SERIES AC/DC DRIVER

White Only or Blue Only	Yes
White Only or Warm White Only	Yes
White & Blue or White & Warm White Selectable	Yes
Strobe Input	Yes
Dimming	Yes