

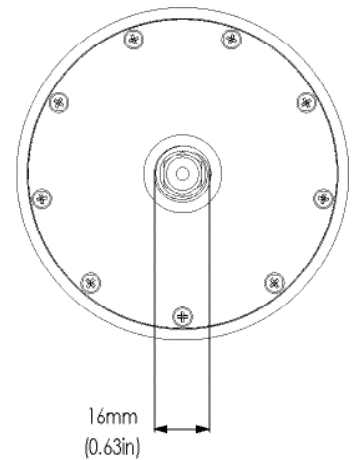
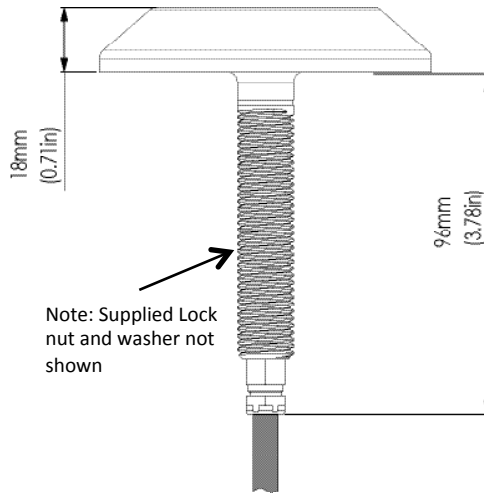
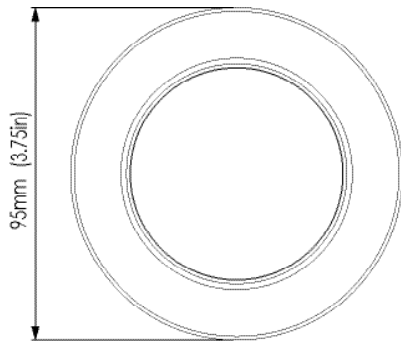


# ORA Series - Single Color THX203

ULTRA-SLIM THRU-HULL UNDERWATER LED LIGHT



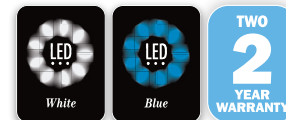
| PART DESCRIPTION        | ORA THX203 THRU-HULL UNDERWATER LED LIGHT                          |
|-------------------------|--|
| Part Number             | Blue: 60-0311<br>White: 60-0312                                    |
| Available Colors        | Single Color (Blue or White)                                       |
| Lumens                  | 12,600   |
| Fixture Lumens (White)  | 5,600  |
| Number & Type Of LED    | White - 12 x 10W High Power LEDs<br>Blue - 24 x 3W High Power LEDs |
| LED Power - HICOB Array | Yes  |
| Typical LED Life        | 50,000+ Hours  |
| Warranty                | 2 Years  |
| User Control Options    | On/Off Switch<br>(Third party supplied)                            |
| Housing Type            | Marine Bronze Body with Borosilicate Glass Lens                    |



**ORA Series - Single Color**

# THX203

ULTRA-SLIM THRU-HULL UNDERWATER LED LIGHT



| TECHNICAL                               |   |
|---|---|
| Driver                                  | Internal Driver   |
| Supply Voltage Range (12V or 24 V ONLY) | 10.5 - 31 V DC  |
| Max Current Draw 12/24V                 | 4.9 A / 2.4 A   |
| Surge Protection                        | Yes (3,000V)  |
| ATRB (Automatic Thermal Roll-Back)      | Yes   |
| Low Voltage Protection                  | Automatic Voltage Roll-Back Control And Low Voltage Cut Out |
| Automatic Power Control                 | Yes - Intelligent Power Management                          |
| "Soft Start" Electronics Protection     | Yes   |
| Reverse Polarity Protection             | Yes   |
| In Rush Current Protection              | Yes   |
| Power Line Noise Suppression            | Yes   |
| Bonding                                 | Required (Bonding Connection Provided on Light)             |
| Electrical Installation                 | Simple 2 Wire Connection                                    |
| Max Vessel Length                       | 24m (80')   |

| PHYSICAL                                  |   |
|---|---|
| Beam Angle                                | 110°  |
| Water Ingress Protection Rating           | IP68  |
| Light Face Diameter                       | 95mm (3.75")                                    |
| Profile (Height) Of Housing               | 18mm (0.71")                                    |
| Shaft Length                              | 96mm (3.78")                                    |
| Housing Type                              | Marine Bronze Body with Borosilicate Glass Lens |
| Light Cable Length                        | 2m (6'6") Standard (Can be extended *)          |
| Hole Cut-Out for Shaft (Hole Cutter Size) | Metric: 16.5mm<br>Imperial: 21/32 " (0.656")    |
| Weight                                    | 800g (1.76 Lbs)                                 |
| Mechanical Installation                   | Thru-Hull Fitting                               |

\* Extension distance depends on cable type, refer to user manual for further information.