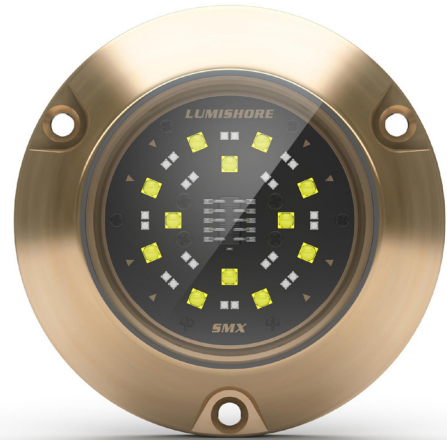




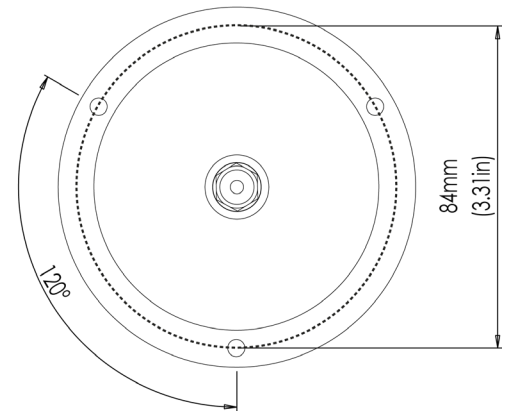
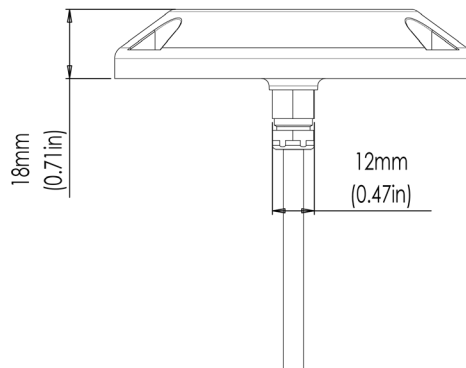
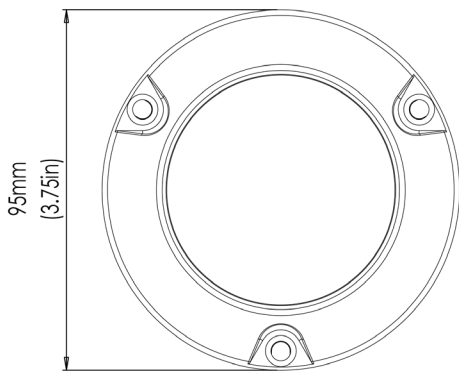
Blue and White
SMX53

SURFACE MOUNT UNDERWATER LED LIGHT

eclipse COMPATIBLE



PART DESCRIPTION	SMX53 BLUE AND WHITE SURFACE MOUNT UNDERWATER LED LIGHT
Part Number	60-0314 - SMX53 - Blue and White
Available Colors	Dual Color (Blue & White)
Lumens	13,725
Fixture Lumens (White)	6,100
Number & Type Of LED	White-12×5W / Blue-24×3W
LED Power - HICOB Array	Yes
Typical LED Life	50,000+ Hours
Warranty	2 Years
User Control Options	On/Off Switch (Third party supplied) ECLIPSE Command Center SUPRA i-Connect Hub & Switch
Electrical Installation	Simple 2 Wire Connection or SUPRA i-Connect Hub with Switch ECLIPSE Command Center
Housing Type	Marine Bronze Body with Borosilicate Glass Lens



Blue and White SMX53

SURFACE MOUNT UNDERWATER LED LIGHT



TECHNICAL	
Driver	Multi-Channel Internal Driver
Supply Voltage Range	10.5–31 V DC
Max Current Draw 12/24V	5.3 A/2.6 A
Surge Protection	Yes (3,000V)
ATRB (Automatic Thermal Roll-Back)	Yes
Low Voltage Protection	Automatic Voltage Roll-Back Control And Low Voltage Cut Out
Auto Power Control	Yes – Intelligent Multi-Channel Power Management
“Soft Start” Electronics Protection	Yes
Reverse Polarity Protection	Yes
In Rush Current Protection	Yes
Power Line Noise Suppression	Yes
Bonding	Not Required
Electrical Installation	Simple 2 Wire Connection OR SUPRA i-Connect Hub with Lumi-Switch ECLIPSE Command Center
Max Vessel Length	15m (50')
Hull Material Type	All (Isolation Kit Must Be Used On Conductive Hull Materials)

PHYSICAL	
Beam Angle	90°
Water Ingress Protection Rating	IP68
Light Face Diameter	95mm (3.75")
Profile (Height) Of Housing	18mm (0.71")
Housing Type	Marine Bronze Body with Borosilicate Glass Lens
Light Cable Length	2m (6'6") Standard (Can be extended *)
Hole Cut-Out for Cable (Drill bit size)	Metric: 13.5mm Imperial: 17/32" (0.5313")
Weight	600g (1.32 Lbs)
Mechanical Installation	3 x Marine Bronze Screws (Provided)

* Extension distance depends on cable type, refer to user manual for further info

LIGHTING SYSTEM FUNCTIONALITY (ON/OFF SWITCH)	
On/Off Control	Yes
Switch Between Color Blue and White	Yes
Dimming Control	No
Strobe	Yes
Color Fade	Yes

LIGHTING SYSTEM FUNCTIONALITY (ECLIPSE COMMAND CENTER)	
<i>From Smart Device/MFD:</i>	
On/Off Control	Yes
Dimming Control	Yes
Zone Control	Yes
Strobe	Yes
Color Fade	Yes

<i>From Momentary Switch (Optional):</i>	
On/Off Control	Yes
Switch Between Color Blue and White	Yes
Dimming Control	No
Strobe	Yes
Color Fade	Yes

LIGHTING SYSTEM FUNCTIONALITY (I-CONNECT HUB & SWITCH)	
Mode	Toggle switch to move to the next mode
Start Up (Lights come on in White Mode first)	Yes
Selectable Modes (Toggle switch to advance)	Yes
Preset Colors (White and Blue)	Yes
Strobe (White and blue in a strobe pattern)	Yes
Synchronized Strobe (White)	Yes
Synchronized Strobe (Blue)	Yes
Fade (White and Blue in a fade pattern)	Yes
Synchronized Fade (All lights sync together)	Yes
MFD Integration	Yes (With SUPRA Bridge Module)

ACCESSORIES	PART NUMBER
SUPRA i-Connect Hub Installation Kit	60-0402
SUPRA i-Connect Additional Hub	60-0317
SMX M Series Hull Isolation Kit	39-0203
ECLIPSE Command Center	60-0495
Expansion Module (Single Zone)	60-0496
Expansion Module (Double Zone)	60-0497