



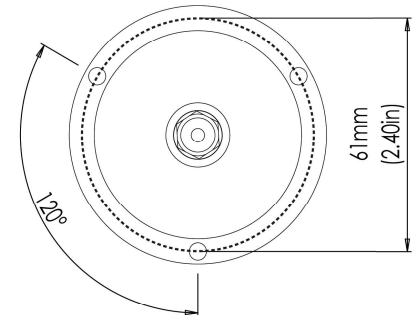
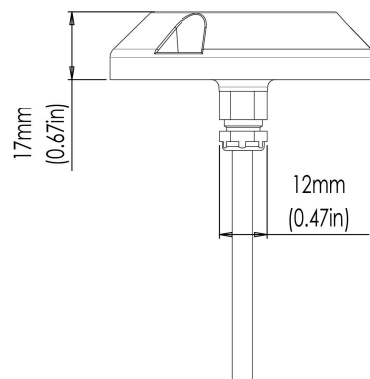
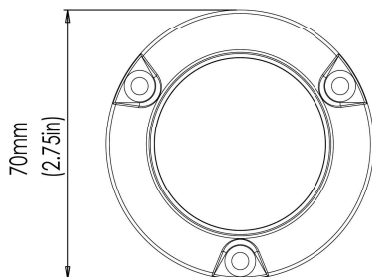
Full Spectrum RGBW Color Change

SMX93

SURFACE MOUNT UNDERWATER LED LIGHT



PART DESCRIPTION	FULL SPECTRUM RGBW SMX93 SURFACE MOUNT UNDERWATER LED LIGHT
Part Number	60-0315
Available Colors	Full Spectrum RGBW Color Change
Lumens	11,475
Fixture Lumens (White)	5,100
Number & Type Of LED	White-12×5W / Green-12×3W / Blue-12×3W / Red-16×3W
LED Power - HICOB Array	Yes
Typical LED Life	50,000+ Hours
Warranty	2 Years
User Control Options	On/Off Switch (Third party supplied)
Electrical Installation	Simple 2 Wire Connection
Housing Type	Marine Bronze Body with Borosilicate Glass Lens
Compact Size	Diameter: 70mm (2.75") Height: 17mm (0.67")



Full Spectrum RGBW Color Change SMX93

SURFACE MOUNT UNDERWATER LED LIGHT



TECHNICAL	
Driver	Multi-Channel Internal Driver
Supply Voltage Range	10.5–31 V DC
Max Current Draw 12/24V	3.0 A/1.5 A
Surge Protection	Yes (3,000V)
ATRB (Automatic Thermal Roll-Back)	Yes
Low Voltage Protection	Automatic Voltage Roll-Back Control And Low Voltage Cut Out
Auto Power Control	Yes - Intelligent Multi-Channel Power Management
“Soft Start” Electronics Protection	Yes
Reverse Polarity Protection	Yes
In Rush Current Protection	Yes
Power Line Noise Suppression	Yes
Bonding	Not Required
Electrical Installation	Simple 2 Wire Connection
Max Vessel Length	7.5m (25')
Hull Material Type	All (Isolation Kit Must Be Used On Conductive Hull Materials)

PHYSICAL	
Beam Angle	90°
Water Ingress Protection Rating	IP68
Light Face Diameter	70mm (2.75")
Profile (Height) Of Housing	17mm (0.67")
Housing Type	Marine Bronze Body with Borosilicate Glass Lens
Light Cable Length	2m (6'6") Standard (Can be extended *)
Hole Cut-Out for Cable (Drill bit size)	Metric: 13.5mm Imperial: 17/32" (0.5313")
Weight	435g (0.95 Lbs)
Mechanical Installation	3 x Marine Bronze Screws (Provided)

* Extension distance depends on cable type, refer to user manual for further information

LIGHTING SYSTEM FUNCTIONALITY (ON/OFF SWITCH)	
Full Color Spectrum Color Cycle	Yes
Select Color (toggle on/off switch to pause color cycle)	Yes

ACCESSORIES	PART NUMBER
SMX M Series Hull Isolation Kit	39-0203