

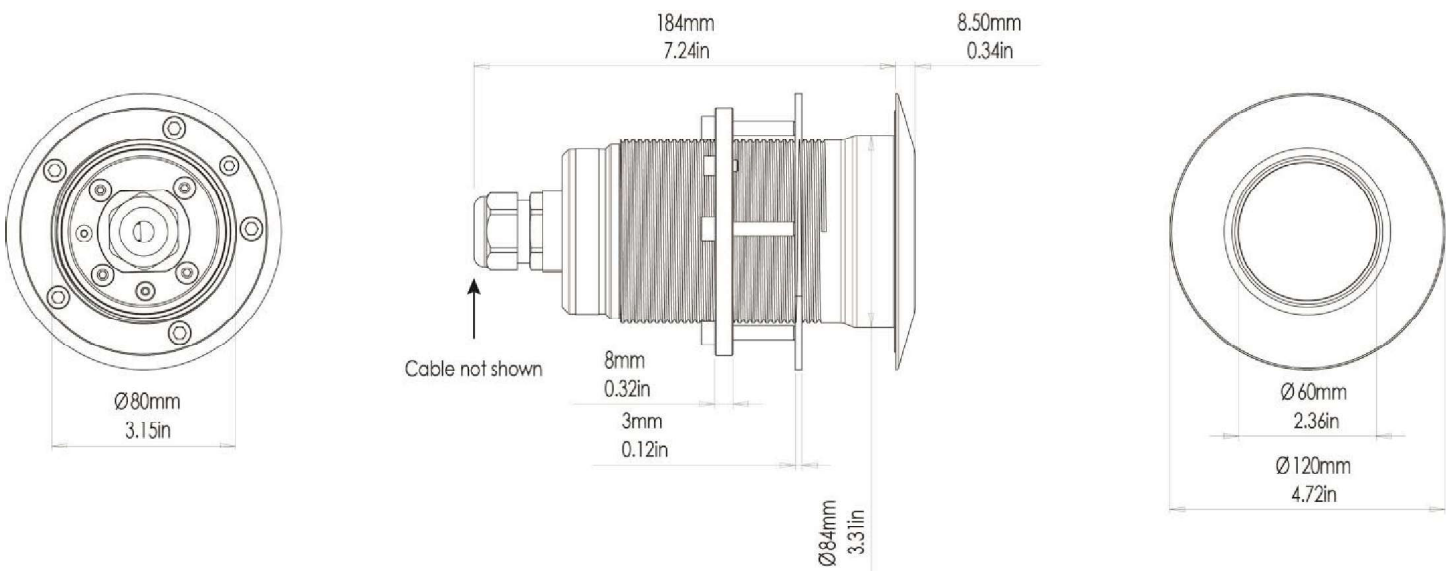


SUPRA Series - Dual Color TIX803

INTERCHANGEABLE THRU-HULL UNDERWATER LED LIGHT

| PART DESCRIPTION | SUPRA TIX803 INTERCHANGEABLE THRU-HULL UNDERWATER LED LIGHT |
|-------------------------|---|
| Part Number | 60-0342 |
| Available Colors | Dual Color (Blue & White) |
| Lumens | 27,000 |
| Fixture Lumens (White) | 12,000 |
| Number & Type Of LED | White - 36 x 10W, Blue - 48 x 3W |
| LED Power - HICOB Array | Yes |
| Typical LED Life | 50,000+ Hours |
| Warranty | 3 Years |
| User Control Options | SUPRA i-Connect Hub & Switch Certified MFD Screen* Lumi-Link Display STV 2204i* WiFi control from Smart phone or Connected Device (via MFD or local WiFi Network)* |

* Requires SUPRA Lumi-Link Bridge Module



SUPRA Series - Dual Color TIX803

INTERCHANGEABLE THRU-HULL UNDERWATER LED LIGHT



| TECHNICAL | |
|-------------------------------------|---|
| Driver | Multi-Channel Internal Driver |
| Supply Voltage Range | 10.5–31 V DC** |
| Max Current Draw 12/24V | 8.8 A / 4.4 A |
| Surge Protection | Yes (3,000V) |
| ATRB (Automatic Thermal Roll-Back) | Yes |
| Low Voltage Protection | Automatic Voltage Roll-Back Control And Low Voltage Cut Out |
| Auto Power Control | Yes - Intelligent Multi-Channel Power Management |
| “Soft Start” Electronics Protection | Yes |
| Reverse Polarity Protection | Yes |
| In Rush Current Protection | Yes |
| Power Line Noise Suppression | Yes |
| Connections | Plug and Play |

**AC Options Available – Contact Lumishore for more information

| PHYSICAL | |
|---|--|
| Beam Angle | 110° |
| Water Ingress Protection Rating | IP68 |
| Light Face Diameter | 120mm (4.72") |
| Profile (Height) Of Housing | 8.5mm (0.34") |
| Shaft Length | 184mm (7.24") |
| Housing Type | Marine Bronze Body with Borosilicate Glass Lens |
| Light Cable Length | 3m (9.8') Standard |
| Hole Cut-Out for Shaft (Hole Cutter Size) | Metric: 86mm Imperial: 3-3/8 " (3.375") |
| Weight | 2.7 Kg (5.95 Lbs) |
| Bonding | Required (Bonding Connection Provided on Light) |
| Isolation Option | Hull Isolation Sleeves Available For Metal Hull Installation |

| LIGHTING SYSTEM FUNCTIONALITY (I-CONNECT HUB & SWITCH) | |
|---|--|
| Mode | Toggle switch to move to the next mode |
| White | Yes |
| Blue | Yes |
| Strobe | Yes |
| Synchronized Strobe | Yes |
| Fade Mode | Yes |
| Synchronized Fade Mode | Yes |
| Light Control via MFD Screen or Lumi-Link 2204i Display | Yes* |

*These features require a SUPRA Lumi-Link Bridge Module and compatible MFD. This allows easy integration and control direct from MFDs, and other third party control systems.

| ACCESSORIES | PART NUMBER |
|---|-------------|
| THX/TIX-SUPRA i-Connect Installation Kit (i-Connect Switch & i-Connect Hub) | 60-0329 |
| Additional i-Connect Hub | 60-0330 |
| 3m Extension cable (Light to Hub) | 60-0401 |
| Hull Isolation Kit | 60-0211 |
| SUPRA Lumi-Link Bridge Module | 60-0368 |

LUMI-LINK™ PLUG-&-PLAY MFD INTEGRATION

The world's first marine lighting API (Application Programming Interface) allowing plug-&-play integration of Lumishore SUPRA & EOS underwater lighting systems with a single cable to your certified Multi-Function Display (MFD) creating a centralized control platform for the entire vessel reducing helm clutter and simplifying vessel operation. Now available for Garmin OneHelm™ MFDs.