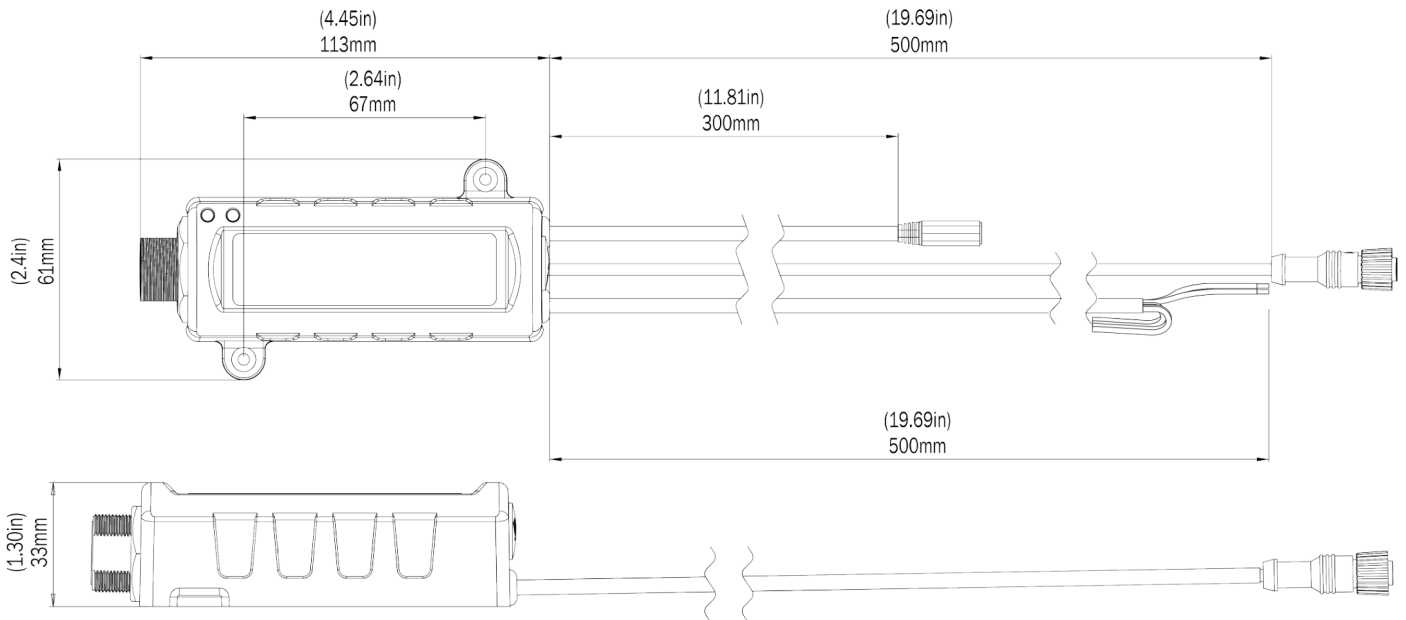




EOS-LUX Command Center

CONTROL YOUR LIGHTS VIA MFD OR DISPLAY

PART DESCRIPTION	EOS-LUX COMMAND CENTER
Part Number	60-0366
For Use With	All SMX, THX and TIX EOS underwater lighting systems All LUX Lighting above water systems
Ingress Protection Rating	IP67
Features	Full Spectrum RGB and White Color Temperature Tunable (2700K to 6500K) Fully configurable Zone Control Fully configurable Lighting Scenes Full Lumi-Link Capability for control with a certified MFD or EOS-LUX-SUPRA Display WiFi Control via Connected device (via MFD WiFi or Local WiFi Network) Specially Designed for Ease of Installation Plug and Play Connections Over the Air Firmware Update System Settings Back up and Restore
Warranty	3 Years
User Control Options	Certified MFD Screen EOS-LUX-SUPRA Display WiFi control from Smart phone or Connected Device (via MFD or local WiFi Network)



EMEA: Info@Lumishore.com | USA: Sales@LumishoreUSA.com

Units 11 & 12, Ashmount Business Park, Upper Fforest Way, Swansea, SA6 8QR | 7137 24th Court East, Sarasota, FL 34243, USA

EOS-LUX Command Center

CONTROL YOUR LIGHTS VIA MFD OR DISPLAY



TECHNICAL

Supply Voltage Range	10.5 - 31 V DC
Max Current Draw 12/24V	0.5 A
MFD Compatibility*	-Garmin (OneHelm Enabled) -Raymarine - Axiom (Lighthouse partner App) -Navico : Simrad (NSO evo3/3S and EVO2, NSS evo3/3S, NSX, IDS and GO**, B&G (Zeus ³ Glass Helm, Zeus ³ /3S and Vulcan***), Lowrance (HDS Live, HDS Carbon, Elite FS) -Furuno Navnet TZ Touch 3 series (Requires SD card Part Number 60-0377) *** Vulcan 7R, 9 and 12 only.
Reverse Polarity Protection	Yes
Load Dump Protection	Yes
ISO 8846 (Ignition Protection)	Yes

*Customers should check compatibility of their MFD prior to purchase

**G07 XSR, G09 and G012

*** Vulcan 7R, 9 and 12

PHYSICAL

Ingress Protection Rating	IP67
---------------------------	------

ACCESSORIES

Accessory	Part number
EOS-LUX-SUPRA Display	60-0369
Garmin MFD Conversion Cable	60-0372
Navico MFD Conversion Cable	60-0373
EOS-LUX Furuno SD Card	60-0377

EOS-LUX COMMAND CENTER LIGHTING SYSTEM FUNCTIONALITY

LUX Smart Lighting Compatible	Yes
Zone Control	Yes
Scenes	Yes
RGB Spectrum Color Select	Yes
White Colour Temperature Balance (Warm to Cold)	Yes
Lumishore Preset Colors	Yes
Lights Synchronised (All lights, All Colors, All Modes)	Yes
Color Cycle	Yes (Spectrum, Ice, Sunset, Miami)
Cycle Speed Adjust	Yes
Color Sweep	Yes (Ice, Sunset, Miami)
Color Sweep Speed Adjust	Yes
Color Palette	Yes
Fixed Strobe (Any Mode)	Yes
Strobe Mode (Any Mode)	Yes
Light Discovery and Set up	Yes
Light Brightness Adjustment	Yes
Diagnostic Function	Yes
Sound to Light	Yes
Control from MFD screen or EOS Viewer	Yes
WiFi Control from Smart Phone or Connected Device	Yes
Over the Air Firmware Updates	Yes
System Settings Backup and Restore	Yes

