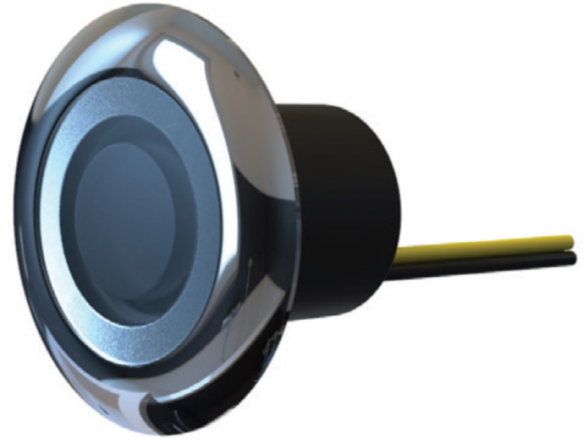


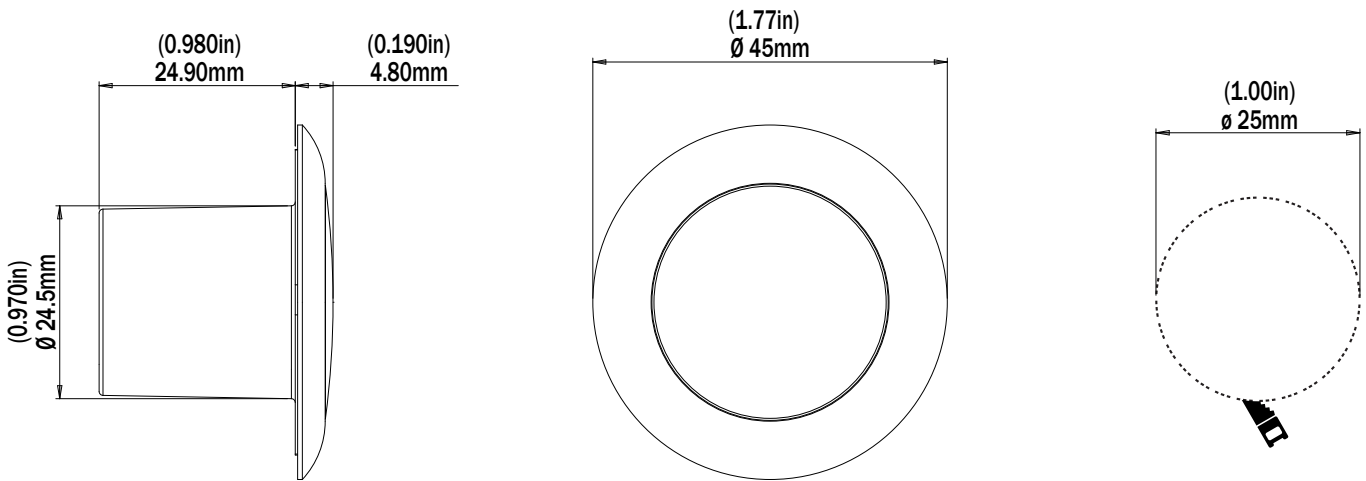


LUMI-LINK™

# Lux Courtesy Light CL25 (IP68)



PART DESCRIPTION	CL25 LUX COURTESY LIGHT
Part Number	60-0393 - LUX Light Control Module (Required - up to 16 courtesy lights per module) 60-0392 - CL 25 Courtesy Light
Available Colors	White Color Temperature Tunable (2700K to 6500K) and Full Spectrum RGB in the same LED Downlight
LED Type	Warm White, Cold White, Red, Green and Blue (5 Channel)
Warranty	2 years
Customer Control Options	Lumi-Link Command Center Customer Supplied Momentary Switch
Electrical Installation	Simple 3 Wire Installation



TECHNICAL	
Driver	Multi-Channel Internal Driver
Supply Voltage Range	10.5 - 31 V DC
Max Current Draw (12/24V DC)	0.1A / 0.05A
Surge Protection	Yes
Low Voltage Protection	Yes
Auto Power Control	Yes - Intelligent Multi-Channel Power Management
“Soft Start” Electronics Protection	Yes
Reverse Polarity Protection	Yes
In Rush Current Protection	Yes
Power Line Noise Suppression	Yes
ISO 8846 (Ignition Protection)	Yes

PHYSICAL	
Ingress Protection	IP68
Front Diameter (Bezel)	45mm (1.77")
Profile	4.5mm (0.18")
Depth	23.7mm (0.93")
Hole Diameter for fitting	25mm (1.0")
Construction	Stainless Steel (316L) Bezel with Black ABS Body
Mechanical Installation	Screw Fixings (Marine Adhesive Optional)
Weight	34g (1.2 oz)
Installation Location	Outdoor / Partially Covered Areas / Indoor

