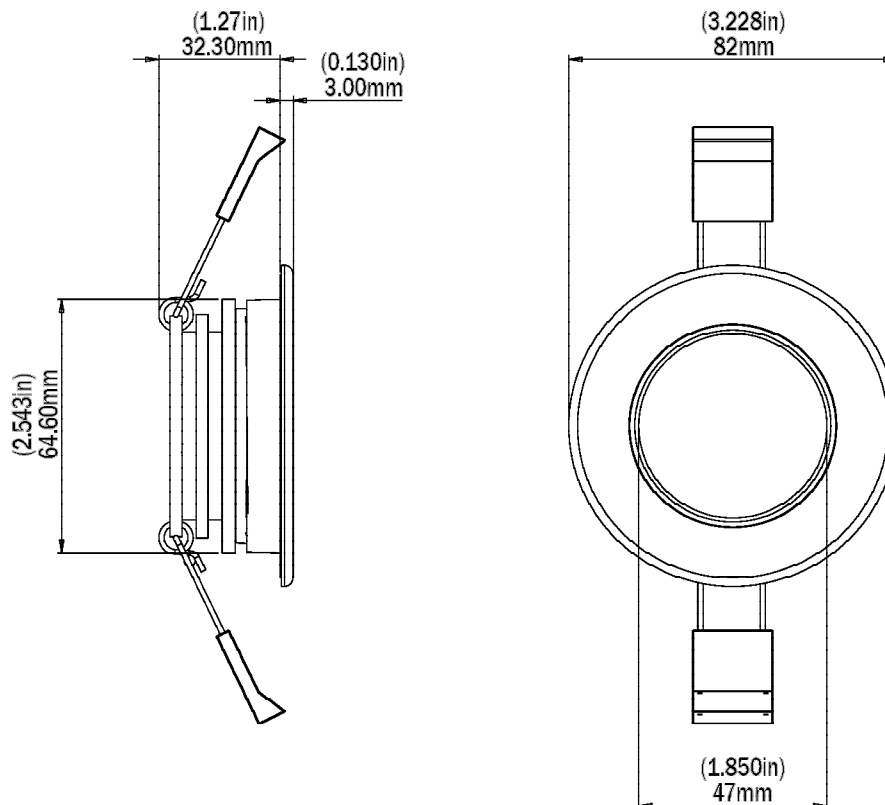




# Lux Downlight DL65 Anti-Glare

PART DESCRIPTION	DL65 ANTI-GLARE LUX DOWN LIGHT
Part Number	60-0393 - LUX Light Control Module (Required - up to 16 downlights per module) 60-0435 - DL 65 Anti-Glare Downlight
Available Colors	White Color Temperature Tunable (2700K to 6500K) and Full Spectrum RGB in the same LED Downlight
LED Type	Warm White, Cold White, Red, Green and Blue (5 Channel)
Warranty	2 years
Customer Control Options	Lumi-Link Command Center Customer Supplied Momentary Switch



TECHNICAL	
Driver	Multi-Channel Internal Driver
Supply Voltage Range	10.5 - 31 V DC
Max Current Draw (12/24V DC)	0.6A / 0.3A
Surge Protection	Yes
Low Voltage Protection	Yes
Auto Power Control	Yes - Intelligent Multi-Channel Power Management
“Soft Start” Electronics Protection	Yes
Reverse Polarity Protection	Yes
In Rush Current Protection	Yes
Power Line Noise Suppression	Yes
ISO 8846 (Ignition Protection)	Yes
Glare Rating	Ultra Low (UGR < 5)

PHYSICAL	
Ingress Protection	IP65
Front Diameter (Bezel)	82mm (3.2")
Profile	3.3mm (0.13")
Depth	32.3mm (1.27")
Hole Diameter for fitting	65mm (2.56")
Construction	Stainless Steel Bezel with Hard Anodised Aluminium Body
Mechanical Installation	Stainless Steel Spring Clips Screw Fitting (Optional) Marine Adhesive (Optional)
Weight - g (oz)	120g (4.2 oz)
Installation Location	Indoor Use Only

