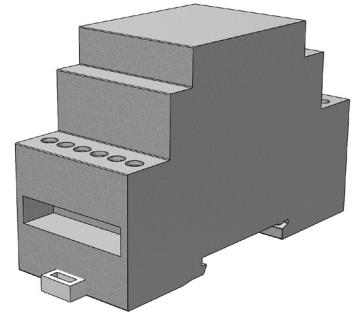


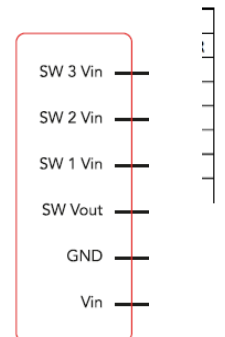
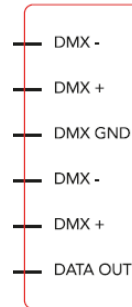
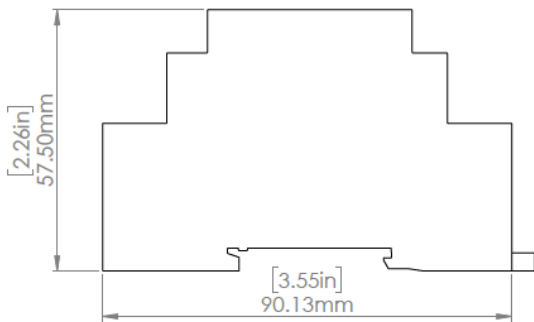


LUMI-LINK™

DIN Rail LUX Light Control Module



PART DESCRIPTION		LUX LIGHT CONTROL MODULE	
Part Number	60-0440 - Lux Light Control Module - DIN Rail		
For Use With	Lux Downlights Lux Courtesy Lights		
Features	Full Spectrum RGB and White Color Temperature Tunable (2700K to 6500K) Full Lumi-Link Capability for Lux Smart Lighting Specially Designed for Ease of Installation		
Warranty	2 years		
Customer Control Options	Lumi-Link Command Center Customer Supplied Momentary Switch		



TECHNICAL	
Supply Voltage Range	10.5 - 31 VDC
Max No of Lights Per Module	16
Max Current Draw (12/24V DC)	Dependent on number and type of lights attached - refer to light datasheet
Surge Protection	Yes
Low Voltage Protection	Yes
Reverse Polarity Protection	Yes
Power Line Noise Suppression	Yes

PHYSICAL	
Size - Not Including Cable Glands or cables (LxWxH)	90mm x 36mm x 58mm (3.55" x 1.43" x 2.26")
Case Construction	High Impact Polycarbonate / ABS (94 VO Flame Retardant)
Electrical Connections	Push fit (14AWG Max)

FOR USE WITH	
DL 65 Downlight	60-0390
DL 50 Downlight - White Bezel	60-0391
DL 50 Downlight - Black Bezel	60-0427
CL 25 Courtesy Light	60-0392