



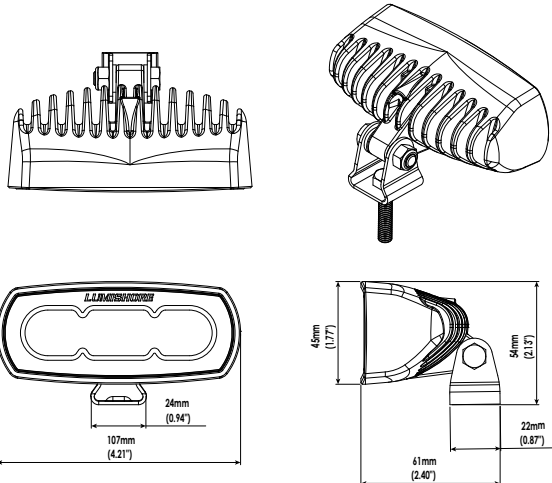
eclipse
White

FLOOD LIGHT 4"

ABOVEWATER LED FLOOD LIGHT



PART DESCRIPTION	LED FLOOD LIGHT 4"
Part Number	60-0467 - ECLIPSE 4" Flood Light - White Finish 60-0527 - ECLIPSE 4" Flood Light - Black Finish
Available Colors	White (5500 K)
Lumens	3,375
Fixture Lumens (White)	1,500
Number & Type Of LED	3 x 10W White LED
LED Power - HICOB Array	Yes
Typical LED Life	50,000+ Hours
Warranty	3 Years
User Control Options	On/Off Switch (Third party supplied) ECLIPSE Command Center EOS-LUX Command Center Certified MFD (with Lumi-Link)
Electrical Installation	Simple 2 Wire Connection (3 Wires when used with ECLIPSE Command Center, or EOS-LUX Command Center)
Housing Type	Powder Coated Aluminium Body with Frosted Lens



White FLOOD LIGHT 4"

ABOVEWATER LED FLOOD LIGHT



TECHNICAL

Driver	Internal Driver
Supply Voltage Range	10.5–31 VDC
Max Current Draw 12/24V	1.7 A/0.9 A
Surge Protection	Yes (3,000V)
ATRB (Automatic Thermal Roll-Back)	Yes
Low Voltage Protection	Automatic Voltage Roll-Back Control And Low Voltage Cut Out
Auto Power Control	Yes - Intelligent Multi-Channel Power Management
“Soft Start” Electronics Protection	Yes
Reverse Polarity Protection	Yes
In Rush Current Protection	Yes
Power Line Noise Suppression	Yes
Dimming	Yes
Bonding	Not Required
Electrical Installation	Simple 2 Wire Connection (3 Wires when used with ECLIPSE Combo Box, or EOS-LUX Command Centre)

PHYSICAL

Beam Angle	70° - 90° Oval Beam
Water Ingress Protection Rating	IP68
Light Dimensions including Bracket (LxWxH)	10.6 x 4.5 x 5.8 cm (4.20 x 1.77 x 2.29 in)
Housing Type	Powder Coated Aluminium Body with Frosted Lens
Light Cable Length	35cm (13.8 in)*
Weight	250g (0.5 Lbs)
Mechanical Installation	Single Stainless Steel Fixing Bracket

* Extension distance depends on cable type, refer to user manual for further info

ACCESSORIES

ECLIPSE Command Center	60-0495
Expansion Module (Single Zone)	60-0496
Expansion Module (Double Zone)	60-0497

LIGHTING SYSTEM FUNCTIONALITY (ON/OFF SWITCH)

On/Off Control	Yes
Dimming Control	Yes

LIGHTING SYSTEM FUNCTIONALITY (ECLIPSE COMMAND CENTER)

<i>From Smart Device/MFD</i>	
On/Off Control	Yes
Dimming Control	Yes
Zone Control	Yes
<i>From Momentary Switch (Optional)</i>	
On/Off Control	Yes
Dimming Control	Yes