



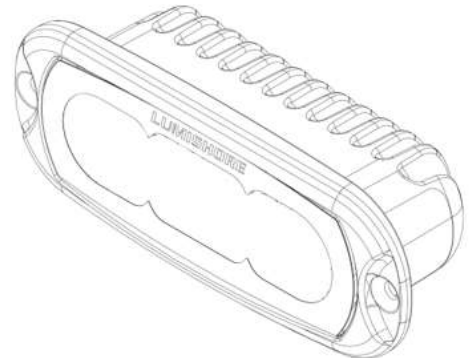
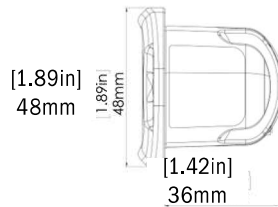
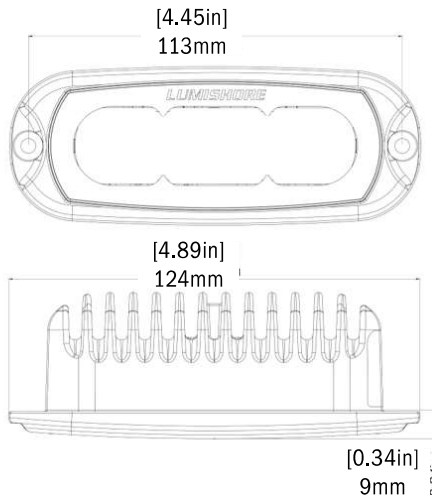
**eclipse**  
**White**



# FLUSH FIT FLOOD LIGHT 4"

ABOVEWATER LED FLOOD LIGHT

PART DESCRIPTION	LED FLUSH FIT FLOOD LIGHT 4"
Part Number	60-0519
Available Colors	White (5500 K)
Lumens	3,375
Fixture Lumens (White)	1,500
Number & Type Of LED	3 x 10W White LED
LED Power - HICOB Array	Yes
Typical LED Life	50,000+ Hours
Warranty	3 Years
User Control Options	On/Off Switch (Third party supplied) ECLIPSE Command Center EOS-LUX Command Center Certified MFD (with Lumi-Link)
Electrical Installation	Simple 2 Wire Connection (3 Wires when used with ECLIPSE Command Center, or EOS-LUX Command Center)
Housing Type	Powder Coated Aluminium Body with Frosted Lens



White

# FLUSH FIT FLOOD LIGHT 4"

ABOVEWATER LED FLOOD LIGHT



TECHNICAL	
Driver	Internal Driver
Supply Voltage Range	10.5–31 V DC
Max Current Draw 12/24V	1.7 A/0.9 A
Surge Protection	Yes (3,000V)
ATRB (Automatic Thermal Roll-Back)	Yes
Low Voltage Protection	Automatic Voltage Roll-Back Control And Low Voltage Cut Out
Auto Power Control	Yes - Intelligent Multi-Channel Power Management
“Soft Start” Electronics Protection	Yes
Reverse Polarity Protection	Yes
In Rush Current Protection	Yes
Power Line Noise Suppression	Yes
Dimming	Yes
Bonding	Not Required
Electrical Installation	Simple 2 Wire Connection (3 Wires when used with ECLIPSE Combo Box, or EOS-LUX Command Centre)

PHYSICAL	
Beam Angle	70° - 90° Oval Beam
Water Ingress Protection Rating	IP68
Light Dimensions (LxWxH)	12.4 x 4.5 x 4.8 cm (4.89 x 1.76 x 1.89 in)
Housing Type	Powder Coated Aluminium Body with Frosted Lens
Light Cable Length	35cm (13.8 in)*
Weight	250g (0.5 Lbs)
Mechanical Installation	Flush Mounted

\* Extension distance depends on cable type, refer to user manual for further info

ACCESSORIES	
ECLIPSE Command Center	60-0495
Expansion Module (Single Zone)	60-0496
Expansion Module (Double Zone)	60-0497

LIGHTING SYSTEM FUNCTIONALITY (ON/OFF SWITCH)	
On/Off Control	Yes
Dimming Control	Yes

LIGHTING SYSTEM FUNCTIONALITY (ECLIPSE COMMAND CENTER)	
<i>From Smart Device/MFD</i>	
On/Off Control	Yes
Dimming Control	Yes
Zone Control	Yes
<i>From Momentary Switch (Optional)</i>	
On/Off Control	Yes
Dimming Control	Yes