

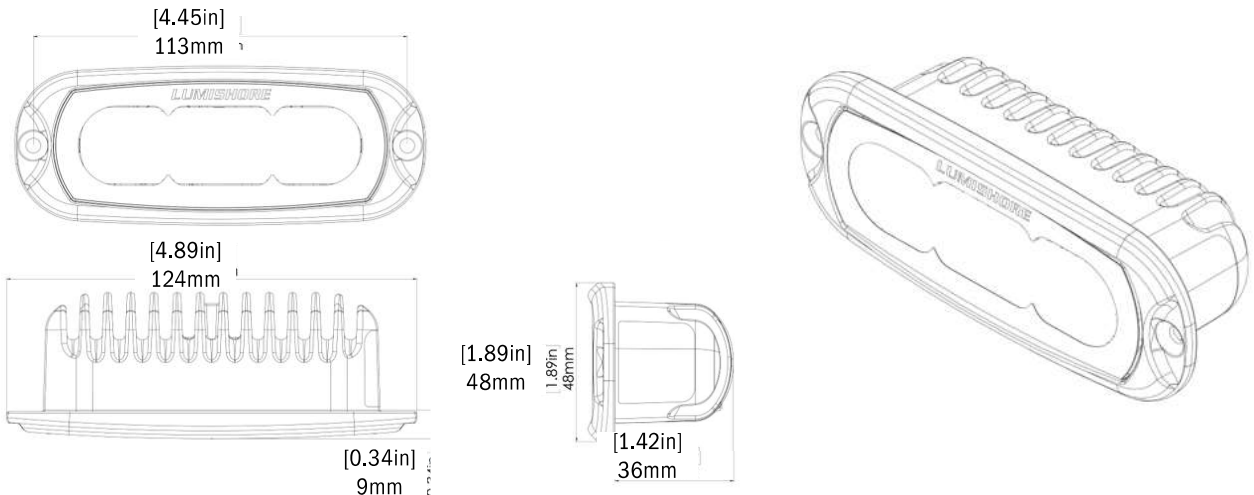


LUX Series - CRGBW

FLUSH FIT FLOOD LIGHT 4"

ABOVEWATER LUX COLOUR CHANGE LED FLOOD LIGHT

PART DESCRIPTION	LUX FLUSH LED FLOOD LIGHT 4"
Part Number	60-0393 - LUX Light Control Module (Required - up to 5 Flood Lights per module) 60-0520 - LUX 4" Flush Fit Flood Light
Available Colors	White Color Temperature Tunable (2700K to 6500K) and Full Spectrum RGB in the same LED Flood Light
Lumens	2,360
Fixture Lumens (White)	1,050
Number & Type Of LED	Warm White, Cold White, Red, Green and Blue (5 Channel)
LED Power - HICOB Array	Yes
Typical LED Life	50,000+ Hours
Warranty	3 Years
User Control Options	EOS-LUX Command Center Customer Supplied Momentary Switch
Electrical Installation	Simple 3 Wire Connection
Housing Type	Powder Coated Aluminium Body with Frosted Lens



LUX Series - CRGBW

FLUSH FIT FLOOD LIGHT 4"

ABOVEWATER LUX COLOUR CHANGE LED FLOOD LIGHT



TECHNICAL	
Driver	Mult-Channel Internal Driver
Supply Voltage Range	10.5–31 V DC
Max Current Draw 12/24V	1.7 A/0.9 A
Surge Protection	Yes (3,000V)
ATRB (Automatic Thermal Roll-Back)	Yes
Low Voltage Protection	Automatic Voltage Roll-Back Control And Low Voltage Cut Out
Auto Power Control	Yes – Intelligent Multi-Channel Power Management
“Soft Start” Electronics Protection	Yes
Reverse Polarity Protection	Yes
In Rush Current Protection	Yes
Power Line Noise Suppression	Yes
Bonding	Not Required
Electrical Installation	Simple 3 Wire Connection

PHYSICAL	
Beam Angle	70° - 90° Oval Beam
Water Ingress Protection Rating	IP68
Light Dimensions (LxWxH)	12.4 x 4.5 x 4.8 cm (4.89 x 1.76 x 1.89 in)
Housing Type	Powder Coated Aluminium Body with Frosted Lens
Light Cable Length	35cm (13.8 in)*
Weight	250g (0.5 Lbs)
Mechanical Installation	Flush Mounted

* Extension distance depends on cable type, refer to user manual for further info