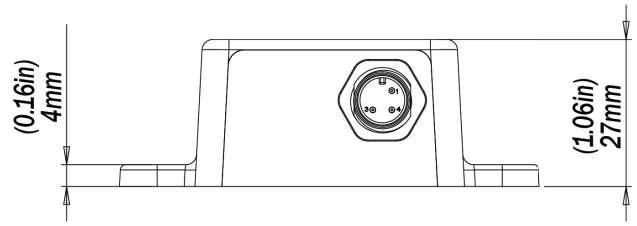
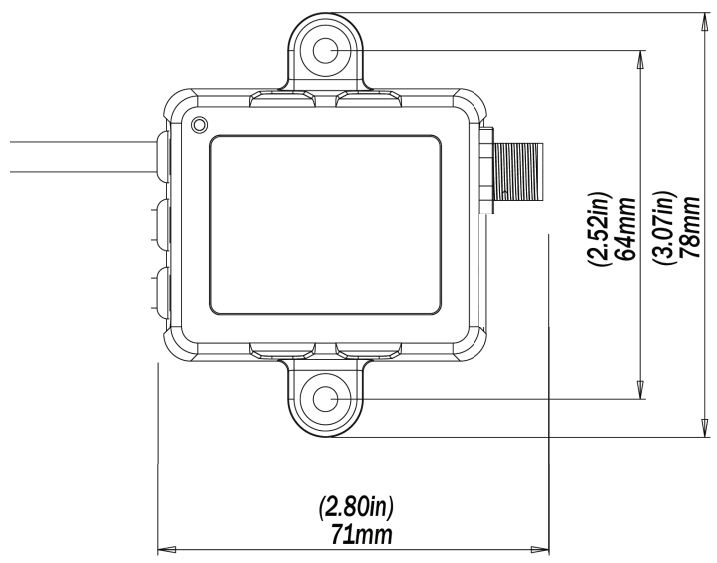




N2K Interface Module

PART DESCRIPTION		N2K (NMEA 2000) INTERFACE MODULE
Part Number	60-0522	
For Use With	EOS-LUX Command Center	
Ingress Protection Rating	IP68	
Features	Allows control of EOS-LUX Lights using NMEA 2000 Messages Connects Directly into the EOS-LUX Command Centre and NMEA Network NMEA 2000 Certified Controlled using proprietary PGNs Allows 3rd Party control of the Lighting System Specially Designed for Ease of Installation	
Warranty	3 Years	
Customer Control Options	NMEA 2000 (N2K) Network EOS-LUX Command Center	





TECHNICAL

Table with 2 columns: Feature and Value. Features include Supply Voltage Range, Max Current Draw, Surge Protection, ATRB, Low Voltage Protection, Auto Power Control, Soft Start Electronics Protection, Reverse Polarity Protection, In Rush Current Protection, Power Line Noise Suppression, and ISO 8846.

FOR USE WITH

Table with 2 columns: Device Name and Part Number. Device: EOS-LUX Command Center, Part Number: 60-0366

PHYSICAL

Table with 2 columns: Feature and Value. Features include Ingress Protection (IP68), Size (71mm x 64mm x 27mm), and Case Construction (Robust Weatherproof ABS).