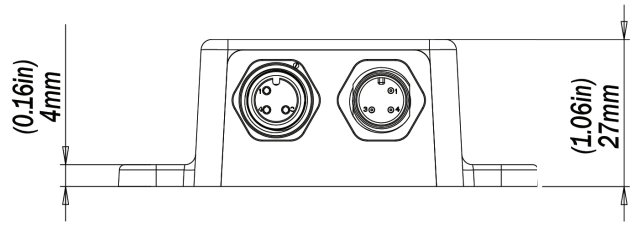
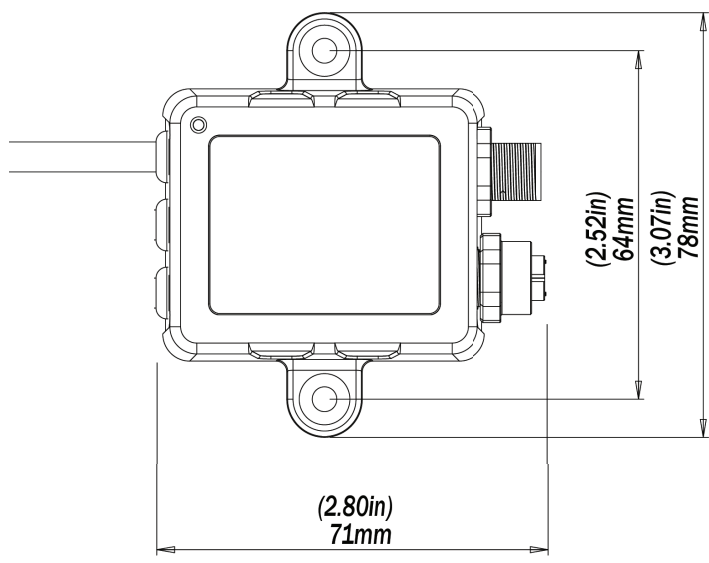




SUPRA Interface Module

PART DESCRIPTION	SUPRA INTERFACE MODULE
Part Number	60-0523
For Use With	All SUPRA Lights Interfaces between EOS-LUX Command Center and SUPRA Underwater Lights
Ingress Protection Rating	IP68
Features	Allows SUPRA lights to be controlled using the EOS-LUX Command Center Plugs Directly into the SUPRA i-Connect Hub Specially Designed for Ease of Installation
Warranty	3 Years
Customer Control Options	EOS-LUX Command Center





TECHNICAL	
Supply Voltage Range	10.5 - 31 V DC
Max Current Draw (12/24V DC)	0.2 A / 0.1 A
Surge Protection	Yes
ATRB (Automatic Thermal Roll Back)	Yes
Low Voltage Protection	Yes
Auto Power Control	Yes - Intelligent Multi-Channel Power Management
“Soft Start” Electronics Protection	Yes
Reverse Polarity Protection	Yes
In Rush Current Protection	Yes
Power Line Noise Suppression	Yes
ISO 8846 (Ignition Protection)	Yes

PHYSICAL	
Ingress Protection	IP68
Size - Not Including Cable Glands or cables (LxWxH)	71mm x 64mm x 27mm (2.80" x 2.52" x 1.06")
Case Construction	Robust Weatherproof ABS (Flame Retardant and Halogen Free)

FOR USE WITH	
TIX / THX SUPRA i-Connect Hub	60-0329
TIX / THX AC SUPRA i-Connect Hub	60-0365
SMX SUPRA i-Connect Hub	60-0402
EOS-LUX Command Center	60-0366

ACCESSORIES	
DMX Link Cable - 0.2m	60-0465
DMX Extension Cable - 1m	60-0403
DMX Extension Cable - 5m	60-0404
DMX Extension Cable - 15m	60-0405