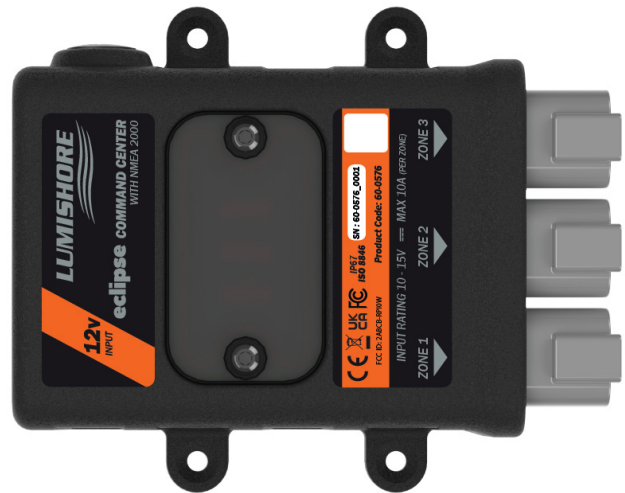
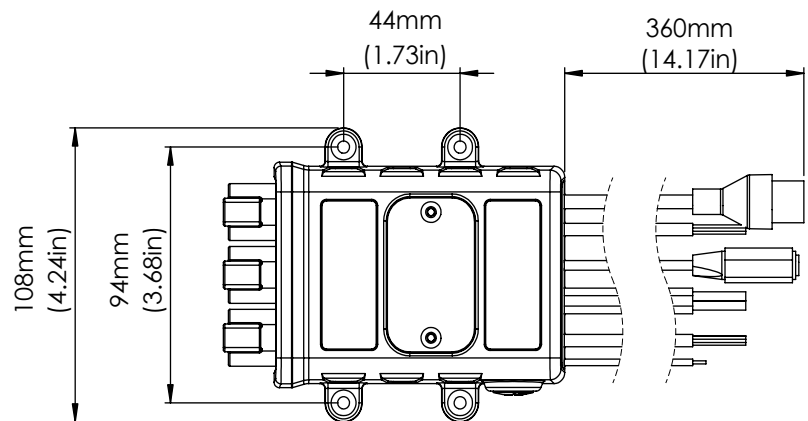
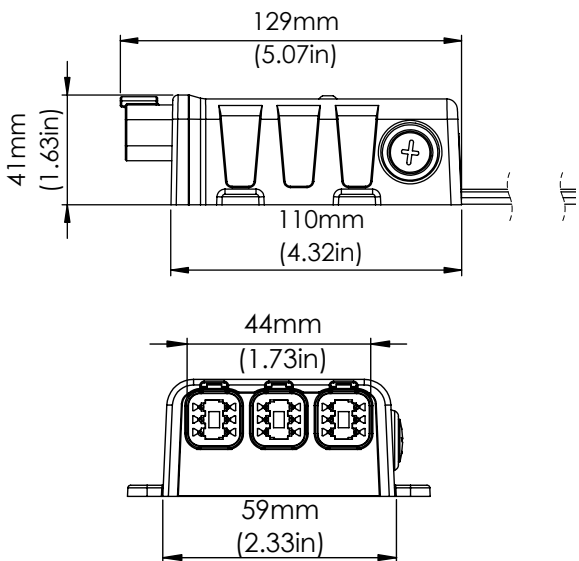


eclipse

ECLIPSE Command Center With NMEA 2000



PART DESCRIPTION	ECLIPSE COMMAND CENTER WITH NMEA 2000
Part Number	60-0576 - ECLIPSE Command Center with NMEA 2000
Ingress Protection Rating	IP67
Features	Switch Control WiFi Control from Smart device or Certified MFD Up to 6 Zones with Individual Control Zone Simple Installation Plug-and-Play Setup Dimming Colour Selection Strobe Sound to Light (Color Change Lights Only)
Warranty	3 Years
Customer Control Options	Switch Input WiFi Control Via Smart Device or Certified MFD Custom Control Using NMEA 2000 Commands
Compatible With	All Lumishore ECLIPSE Above and Below Water Lights.



EMEA: Info@Lumishore.com | USA: Sales@LumishoreUSA.com

Units 11 & 12, Ashmount Business Park, Upper Fforest Way, Swansea, SA6 8QR | 7137 24th Court East, Sarasota, FL 34243, USA

TECHNICAL

Supply Voltage Range	12V DC Only (10 - 15V DC)
Max Current Draw (12V DC)	30A (3 Zones of 10A)
Surge Protection	Yes
Number of Zones	3 (add 3 more with expansion modules)
Max Current Per Zone	10A
Max No. Lights Per Zone	16 (total current draw must be 10A or less)
Low Voltage Protection	Yes
Reverse Polarity Protection	Yes
ISO 8846 (Ignition Protection)	Yes

PHYSICAL

Ingress Protection	IP67
Size - Not Including Cable Glands (LxWxH)	110mm (4.32") x 108mm (4.24") x 41mm (1.63")
Construction	Robust Weatherproof ABS (Flame Retardant and Halogen Free)
Weight	340g (12 oz)

ACCESSORIES

Expansion Module (Single Zone)	60-0496
Expansion Module (Double Zone)	60-0497
NMEA 2000 Interface Module	60-0522

LIGHTING SYSTEM FUNCTIONALITY

ECLIPSE Lighting Compatible	All ECLIPSE Above Water and Underwater Lights
Zone Control	3 Zones as Standard
Zone Expansion	Up to 6 Zones in Total
Switch Control	Yes
WiFi Control from Smart Device or Certified MFD	Yes
Individual Zone Control	Yes - up to 16 Lights / 20m of Striplight or Neon Flex per Zone*
Simple Installation	Yes
Plug-and-Play Setup	Yes
Dimming	Yes
Colour Selection	Yes
Sound to Light	Yes
Strobe	Yes

* Refer to specific product manual for details