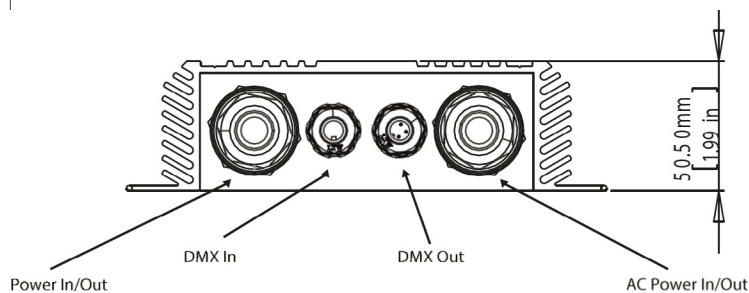
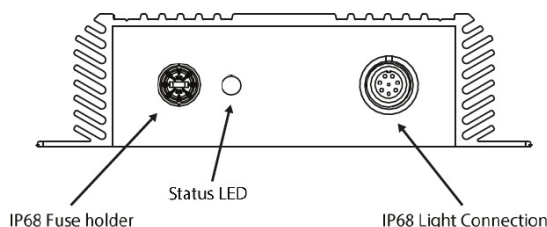
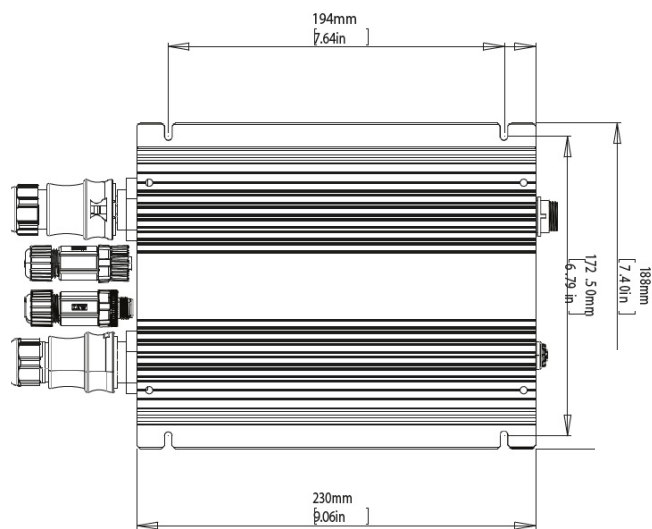




EOS SY Series Integrated AC Driver DMX
 SY220 / SY250 / SY300 / SY310
 SY WELD-IN UNDERWATER LED LIGHT DRIVER

Available Colors	Full EOS Colour Change (RGBW)
For Use With	SY220 / SY 250 / SY 300 / SY310 EOS Series Lights
Warranty	3 Years*
User Control Options	Lumishore Controller (2203i or 2204i) DMX Controller (3rd Party)

*Subject to commissioning review



EOS SY Series Integrated AC Driver DMX

SY220 / SY250 / SY300 / SY310

SY WELD-IN UNDERWATER LED LIGHT DRIVER



TECHNICAL

Driver	External Driver
Supply Voltage Range	90-240V AC
Max Current Draw (AC)	SY220 - 1.3A SY250 - 1.7A SY300 / 310 - 2.1A
Heat Dissipation	SY220 - 14W SY250 - 19W SY300 / 310 - 24W
Surge Protection	Yes (3,000V)
ATRB (Automatic Thermal Roll-Back)	Yes
Low Voltage Protection	Automatic Voltage Roll-Back Control, and Low Voltage Cut-Out
Auto Power Control	Yes - Intelligent Multi-Channel Power Mgmt
"Soft Start" Electronics Protection	Yes
Reverse Polarity Protection	Yes
In Rush Current Protection	Yes
Power Line Noise Suppression	Yes
Communication Protocol	Lumi-DMX (DMX-512/RDMX Compatible)
No. of DMX Addresses per Driver	5

PHYSICAL

Ingress Protection	IP 68
Weight	2.2Kg
Size - not including connectors (LxWxH)	230mm x 188mm x 50.5mm (9.1" x 7.4" x 2.0")
Max cable length from driver to light	Up to 13m total

LIGHTING SYSTEM FUNCTIONALITY

Manufacturer Preset Colors	Yes
Lights Synchronized (All Lights, All Colors, All Models)	Yes
Color Cycle	Yes
Cycle Speed Adjust	Yes
Color Sweep	Yes
Color Sweep Speed Adjust	Yes
Customizable Favorites	Yes
Fixed Strobe (Any Color)	Yes
Random Strobe Mode (Any Color)	Yes
Customizable Strobe Mode	Yes
Programmable Scenes	Yes
Wi-Fi Control	Yes
External DMX/RDMX	Yes
Individually Addressable Lights	Yes
Sound-To-Light	Yes
Groups	Yes
Automatic Light Discovery and Setup	Yes
Light Brightness Adjustment	Yes
Diagnostic Function	Yes

PART NUMBERS

SY220 Integrated AC EOS Driver	28-0076
SY250 Integrated AC EOS Driver	28-0077
SY300 / 310 Integrated AC EOS Driver	28-0072