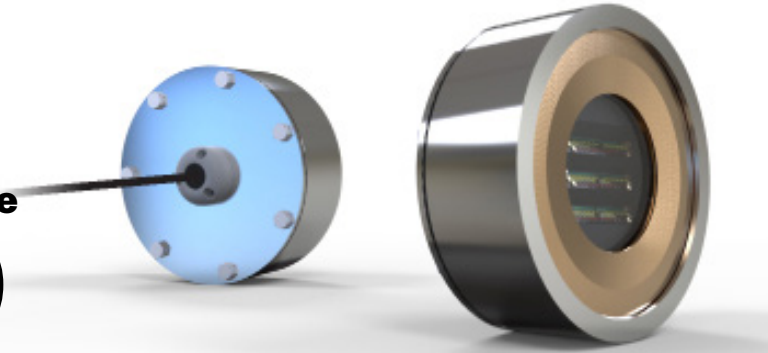




EOS SY Series - Full Color Change SY300/310

SY WELD-IN UNDERWATER LED LIGHT

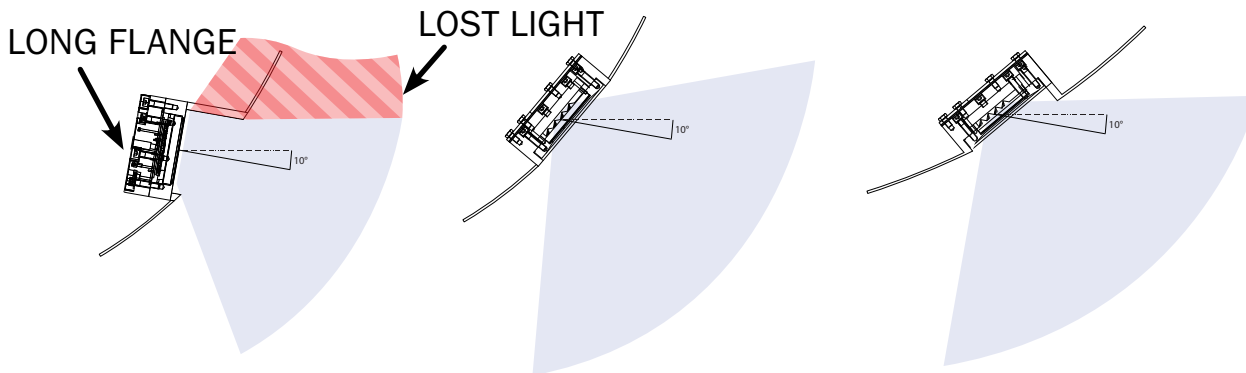


SY300 and SY310 models offers the latest concept in weld-in underwater light fixtures. Making use of a patented internal 'Louvre' lens system, this enables a flush-fit, weld-in flange for each and every underwater light location regardless of hull shape with no loss of light. A simplified installation procedure offers both time and cost savings during installation. The louvered LED array of each light is designed to account for all hull angles, eliminating the light lost in traditional long, angled tube flanges. Available in two models - internally fitted/maintained SY300, and externally fitted/maintained SY310, suitable for installation on transom, side hull, bulbous bow, water tanks, wet and black water areas (SY310 model may also be installed in fuel tanks) without the need for further cofferdams. This provides even hull spacing and maximum light output around the vessel regardless of obstacles within the hull or extreme hull angles.

Available Colors	Full Color Change (RGBW)
Lumens	37,350
Fixture Lumens (White)	16,600
Number & Type Of LED	White - 36 x 10W, Green - 36 x 3W, Blue - 36 x 3W, Red - 48 x 3W
LED Power - HICOB Array	Yes
Typical LED Life	50,000+ Hours
Warranty	3 Years*
User Control Options	Lumishore Controller (2203i or 2204i) DMX Controller (3rd Party)

*Subject to commissioning review

Traditional Weld-in Lights	SY300/310 Weld-In Lights
----------------------------	--------------------------



Edward.Lacey@lumishore.com

Tel : +44 (0) 1792 398 500 | Mob: +44 (0) 7958 060 580

Units 11 & 12, Ashmount Business Park, Upper Fforest Way, Swansea, SA6 8QR | 7137 24th Court East, Sarasota, FL 34243, USA

LUMISHORE.COM

EOS SY Series - Full Color Change

SY300/310

SY WELD-IN UNDERWATER LED LIGHT



TECHNICAL

Driver	Multi-Channel External Driver
Supply Voltage Range	Integrated AC Driver (90-240V AC) 24 V DC option also available
Max Current Draw (AC)	2.1 A
Surge Protection	Yes (3,000V)
ATRB (Automatic Thermal Roll-Back)	Yes
Low Voltage Protection	Automatic Voltage Roll-Back Control, and Low Voltage Cut-Out
Auto Power Control	Yes - Intelligent Multi-Channel Power Mgmt
“Soft Start” Electronics Protection	Yes
Reverse Polarity Protection	Yes
In Rush Current Protection	Yes
Power Line Noise Suppression	Yes
Communication Protocol	Lumi-DMX (DMX-512/RDMX Compatible)

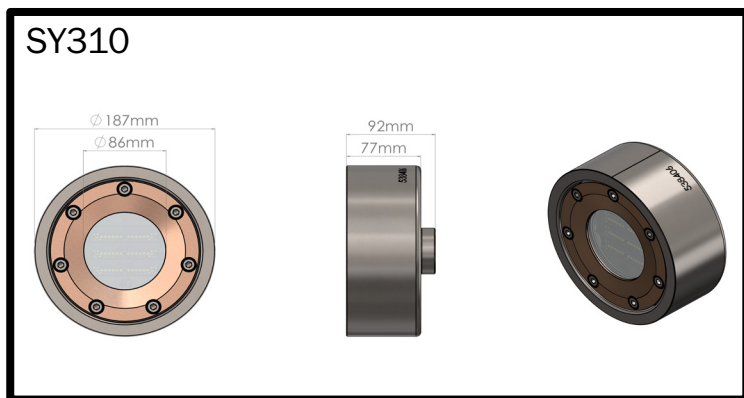
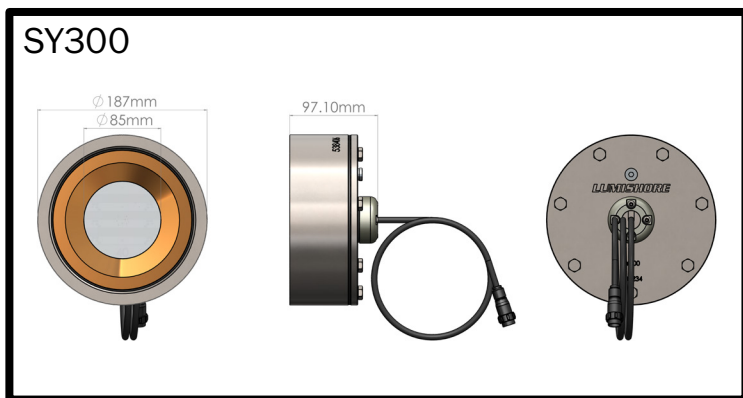
PHYSICAL

Beam Angle	110°
Water Ingress Protection Rating	IP68
Flange Diameter	187mm (7.36")
Light Angle Options	Fits any hull angle (0° to 50°)
Flange Angle Options (Degrees)	0° (Flush)
Flange Material Options	Aluminum (5083L), Stainless Steel (316L)
Light Weight	2.7 Kg
Light Cable Length	3m (9'8") Standard (<i>Extension cables available</i>)
Vessel Length	25m and above
Installation Locations	Transom, Side, Bulbous Bow, Water Tank Fuel Tank Installation (<i>SY310 only</i>)

LIGHTING SYSTEM FUNCTIONALITY

Manufacturer Preset Colors	Yes
Lights Synchronized (All Lights, All Colors, All Models)	Yes
Color Cycle	Yes
Cycle Speed Adjust	Yes
Color Sweep	Yes
Color Sweep Speed Adjust	Yes
Customizable Favorites	Yes
Fixed Strobe (Any Color)	Yes
Random Strobe Mode (Any Color)	Yes
Customizable Strobe Mode	Yes
Programmable Scenes	Yes
Wi-Fi Control	Yes
External DMX/RDMX	Yes
Individually Addressable Lights	Yes
Sound-To-Light	Yes
Groups	Yes
Automatic Light Discovery and Setup	Yes
Light Brightness Adjustment	Yes
Diagnostic Function	Yes

FLANGE WEIGHTS	SY 300	SY 310
316 SS	2.9 KG	4.1 KG
5083 L	1.0 KG	1.4 KG



SY300/310 EXPLODED VIEW	
<p>SY300 INTERNALLY MOUNTED</p>	
<p>SY310 EXTERNALLY MOUNTED</p>	

SY300/310 INSTALLATION EXAMPLES	
<p>Install from shallow to steep hull drafts whilst maintaining the same light beam angle output.</p>	
<p>Tank installation options to maintain even spacing. Internal and external fitted options.</p>	