



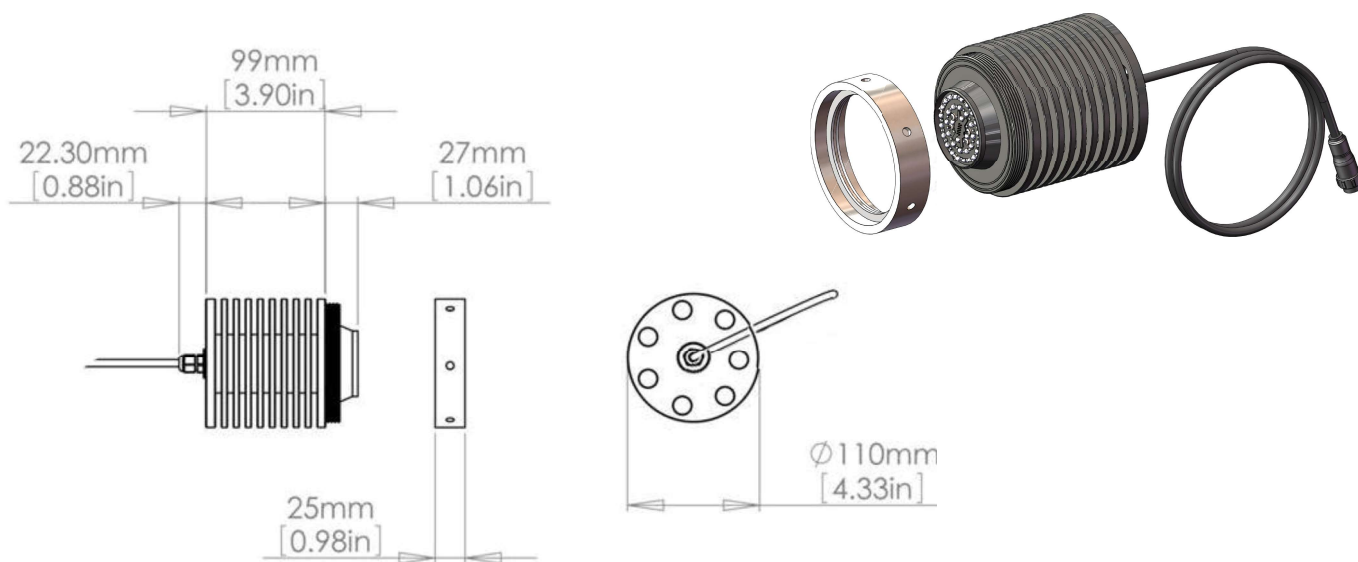
ORA SY Series - Single Color

TRX802

SY RETROFIT UNDERWATER LED LIGHT
(FOR UPGRADE OF HID OR OTHER LED THROUGH HULL UNDERWATER LED LIGHTING SYSTEMS)

Part Number	60-0309
Available Colors	Single Color (White or Blue)
Lumens	18,000
Fixture Lumens (White)	8,000
Number & Type Of LED	White - 36 x 10W, Blue - 48 x 3W
LED Power - HICOB Array	Yes
Typical LED Life	50,000+ Hours
Warranty	3 Years*
User Control Options	On/Off Switch

* Subject to commissioning review





ORA SY Series - Single Color

TRX802

SY RETROFIT UNDERWATER LED LIGHT
(FOR UPGRADE OF HID OR OTHER LED THROUGH HULL UNDERWATER LED LIGHTING SYSTEMS)

TECHNICAL	
Driver	External AC Driver
Supply Voltage Range	90 - 250 V AC
Max Current Draw (AC)	0.6 A
Surge Protection	Yes (3,000V)
ATRB (Automatic Thermal Roll-Back)	Yes
Low Voltage Protection	Automatic Voltage Roll-Back Control, and Low Voltage Cut-Out
Auto Power Control	Yes - Intelligent Multi-Channel Power Management
"Soft Start" Electronics Protection	Yes
Reverse Polarity Protection	Yes
In Rush Current Protection	Yes
Power Line Noise Suppression	Yes

PHYSICAL	
Beam Angle	110°
Water Ingress Protection Rating	IP68
Light Diameter	110mm (4.33")
Shaft Length	99mm (3.90")
Construction	Light Body: Anodized Aluminum (5083), Adaptor Ring: Stainless Steel (316L)*
Light Cable Length	3m (9'8") Standard
Weight	2 Kg

* Adaptor ring is designed to fit the flange already installed