



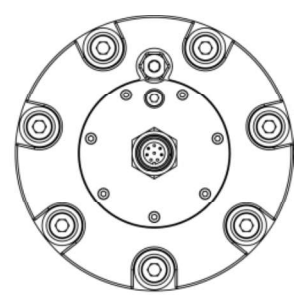
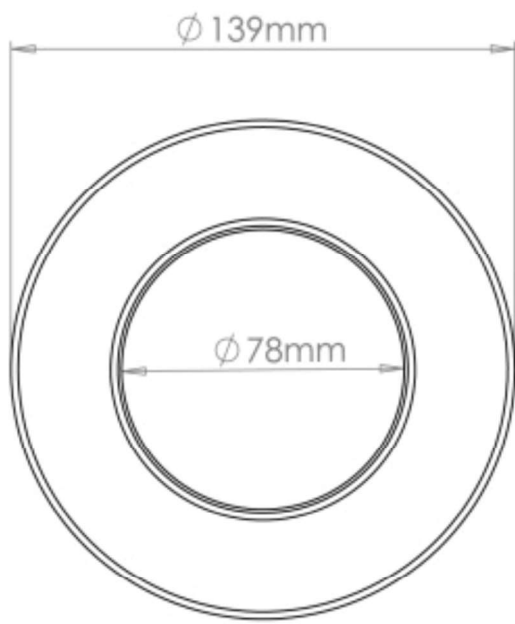
**ORA SY Series - Single Color**

# SY220

SY WELD-IN UNDERWATER LED LIGHT

Available Colors	White, Blue, or Warm White
Lumens	22,500
Fixture Lumens (White)	10,000
Number & Type Of LED	White - 36 x 10W, or Blue / Warm White - 48 x 3W
LED Power - HICOB Array	Yes
Typical LED Life	50,000+ Hours
Warranty	3 Years*

\* Subject to commissioning review



**ORA SY Series - Single Color**

**SY220**

SY WELD-IN UNDERWATER LED LIGHT



**TECHNICAL**

Driver	External Driver
Supply Voltage Range	Integrated AC Driver (90-240V AC)
Max Current Draw (AC)	1.2 A
Surge Protection	Yes (3,000V)
ATRB (Automatic Thermal Roll-Back)	Yes
Low Voltage Protection	Automatic Voltage Roll-Back Control, and Low Voltage Cut-Out
Auto Power Control	Yes - Intelligent Multi-Channel Power Mgmt
“Soft Start” Electronics Protection	Yes
Reverse Polarity Protection	Yes
In Rush Current Protection	Yes
Power Line Noise Suppression	Yes

**LIGHTING SYSTEM FUNCTIONALITY**

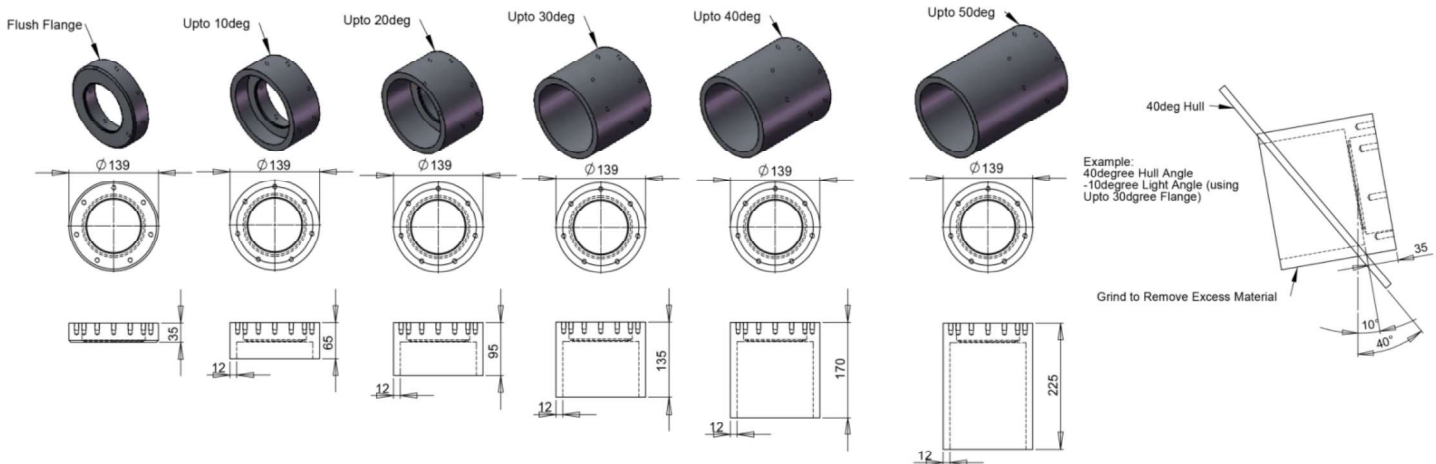
On/Off	Yes
Strobe	Yes (Optional)
Fade	Yes (Optional)

WEIGHTS	0 DEG	10 DEG	20 DEG	30 DEG	40 DEG	50 DEG
316 SS	2.4 KG	3.4 KG	4.4 KG	5.5 KG	6.9KG	8.8 KG
5083 L	0.8 KG	1.1 KG	1.5 KG	1.9 KG	2.3 KG	3.0 KG

**PHYSICAL**

Beam Angle	60°/110°
Water Ingress Protection Rating	IP68
Flange Diameter	139mm (5.47")
Flange Angle Options (Degrees)	0° (Flush), 10°, 20°, 30°, 40°, 50°
Flange Material Options	Aluminum (5083L), Stainless Steel (316L)
Light Cable Length	1m to 10m (Specified at point of order)
Light Weight	1.4 Kg
Vessel Length	Up to 50m
Installation Locations	Transom, Side, Bulbous Bow, Water Tank

**FLANGE ANGLES AND DIMENSIONS**



DATA IS SUBJECT TO CHANGE WITHOUT NOTICE

LUMISHORE DATASHEET

ORA-SY220-0120

Edward.Lacey@lumishore.com

Tel : +44 (0) 208 123 2959

Unit 2, Technium 1, Kings Road, Swansea, SA1 8PH, UK | 7137 24th Court East, Sarasota, FL 34243, USA

**LUMISHORE.COM**