



SUPRA SY Series - Dual Color

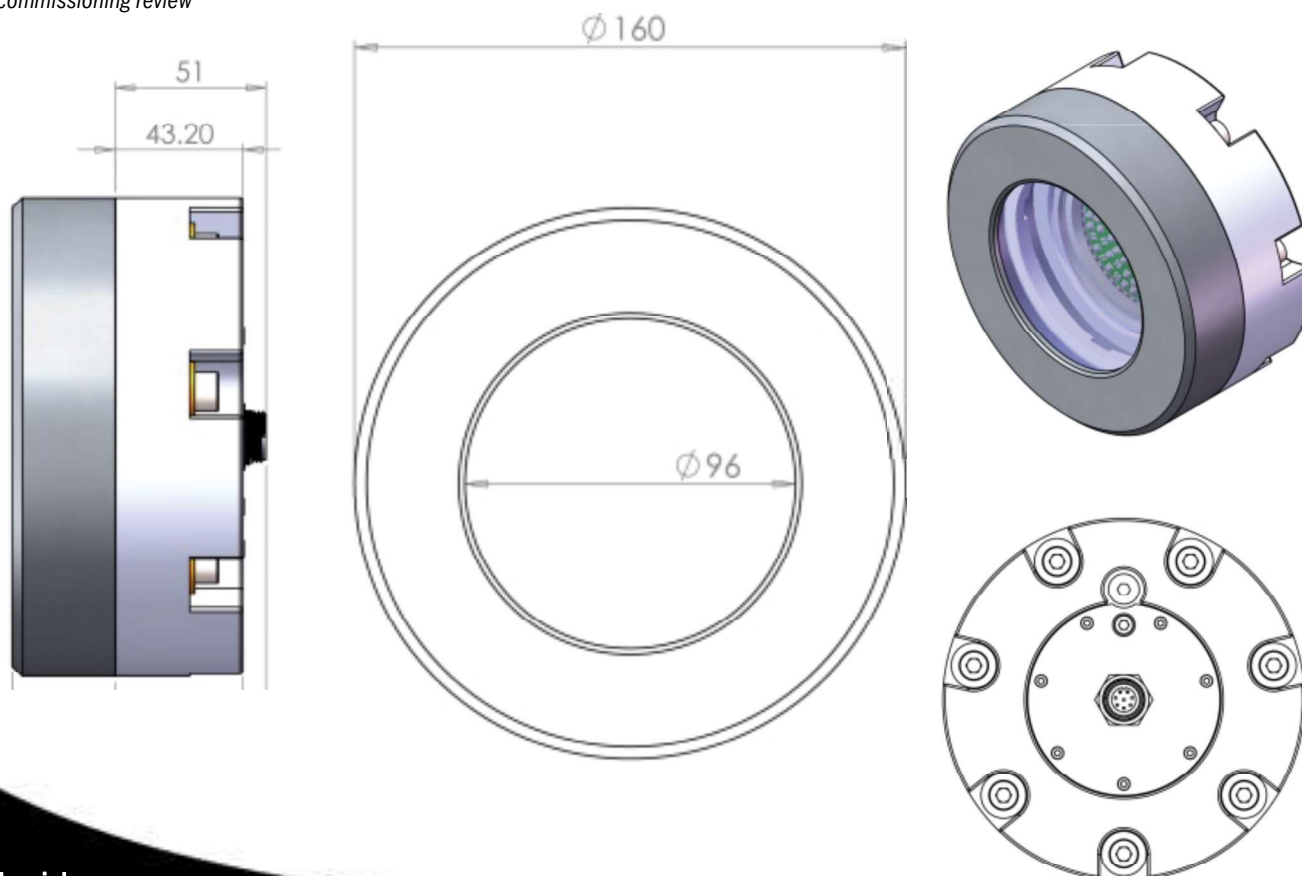
SY250

SY WELD-IN UNDERWATER LED LIGHT



Available Colors	Dual Color (White and Blue, or White and Warm White)
Lumens	34,875
Fixture Lumens (White)	15,500
Number & Type Of LED	White - 48 x 10W, Blue / Warm White - 108 x 3W
LED Power - HICOB Array	Yes
Typical LED Life	50,000+ Hours
Warranty	3 Years*
User Control Options	On/Off Switch (<i>Third-party supplied</i>)
User Control Options (Enhanced)	External Controller (<i>Third Party</i>)
Lights Synchronized (All Lights, All Modes, All Colors)	Yes

*Subject to commissioning review



SUPRA SY Series - Dual Color

SY250

SY WELD-IN UNDERWATER LED LIGHT



TECHNICAL

Driver	External Driver
Supply Voltage Range	Integrated AC Driver (90-240V AC)
Max Current Draw (AC)	1.4 A
Surge Protection	Yes (3,000V)
ATRB (Automatic Thermal Roll-Back)	Yes
Low Voltage Protection	Automatic Voltage Roll-Back Control, and Low Voltage Cut-Out
Auto Power Control	Yes - Intelligent Multi-Channel Power Mgmt
“Soft Start” Electronics Protection	Yes
Reverse Polarity Protection	Yes
In Rush Current Protection	Yes
Power Line Noise Suppression	Yes

PHYSICAL

Beam Angle	60°/110°
Water Ingress Protection Rating	IP68
Flange Diameter	160mm (6.3")
Flange Angle Options (Degrees)	0° (Flush), 10°, 20°, 30°, 40°, 50°
Flange Material Options	Aluminum (5083L), Stainless Steel (316L)
Light Weight	2.2 Kg
Light Cable Length	1m to 10m (Specified at point of order)
Vessel Length	25m and above
Installation Locations	Transom, Side, Bulbous Bow, Water Tank

LIGHTING SYSTEM FUNCTIONALITY

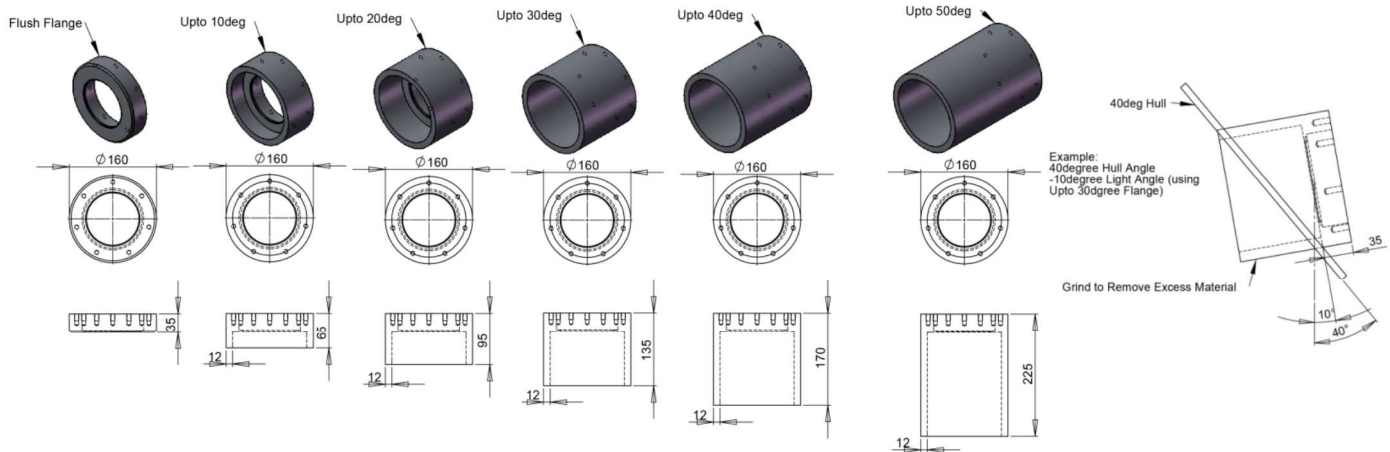
SY SERIES INTEGRATED AC DRIVER

White	Yes
Blue / Warm White	Yes
Dimming Control	Yes
Individually Addressable Lights	Yes
DMX/RDMX Control (via 3rd party controller)	Yes

SY SERIES AC/DC DRIVER

White Only or Blue Only	Yes
White Only or Warm White Only	Yes
White & Blue or White & Warm White Selectable	Yes
Strobe Input	Yes
Dimming	Yes

FLANGE ANGLES AND DIMENSIONS



WEIGHTS	0 DEG	10 DEG	20 DEG	30 DEG	40 DEG	50 DEG
316 SS	2.9 KG	4.1 KG	5.4 KG	6.9 KG	8.8KG	11.3 KG
5083 L	1.0 KG	1.4 KG	1.8 KG	2.4 KG	3.0 KG	3.8 KG

DATA IS SUBJECT TO CHANGE WITHOUT NOTICE

LUMISHORE DATASHEET

SUPRA-SY250-0120

Edward.Lacey@lumishore.com

Tel : +44 (0) 208 123 2959

Unit 2, Technium 1, Kings Road, Swansea, SA1 8PH, UK | 7137 24th Court East, Sarasota, FL 34243, USA

LUMISHORE.COM