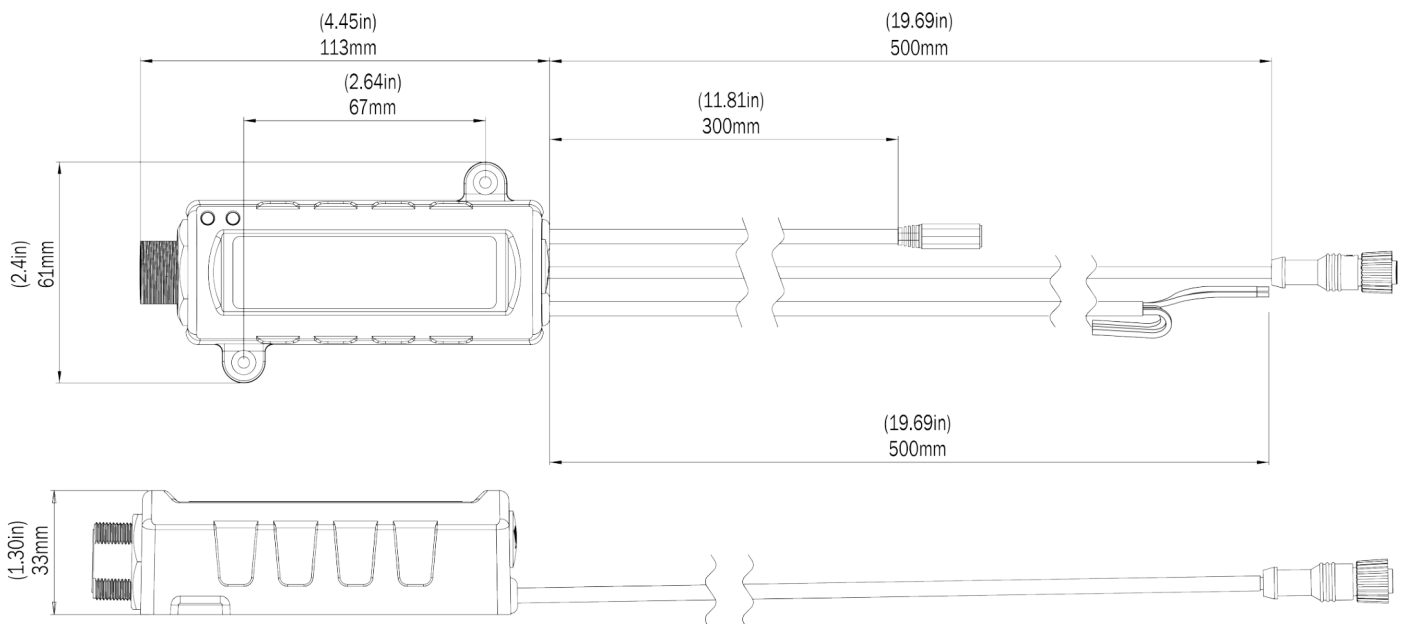




Lumi-Link™ Command Center

CONTROL YOUR LIGHTS VIA MFD OR DISPLAY

PART DESCRIPTION		LUMI-LINK™ COMMAND CENTER	
Part Number	60-0366		
For Use With	All SMX, THX and TIX EOS underwater lighting systems All Lux Lighting above water systems		
Ingress Protection Rating	IP67		
Features	Full Spectrum RGB and White Color Temperature Tunable (2700K to 6500K) Fully configurable Zone Control Fully configurable Lighting Scenes Full Lumi-Link Capability for control with a certified MFD or Lumi-link Display WiFi Control via Connected device (via MFD WiFi or Local WiFi Network) Specially Designed for Ease of Installation Plug and Play Connections		
Warranty	2 years		
User Control Options	Certified MFD Screen Lumi-Link Display STV 2204i WiFi control from Smart phone or Connected Device (via MFD or local WiFi Network)		





Lumi-Link™ Command Center

CONTROL YOUR LIGHTS VIA MFD OR DISPLAY

TECHNICAL

Supply Voltage Range	10.5 - 31 V DC
Max Current Draw 12/24V	2 A
MFD Compatibility*	-Garmin (OneHelm Enabled) -Raymarine - Axiom (Lighthouse partner App) -Navico - Simrad (NSO EVO3 and EVO2, NSS EVO3 and Go**, B&G (Zeus3 Glass Helm, Zues3 and Vulcan) -Furuno (Models TBA)
Reverse Polarity Protection	Yes
Load Dump Protection	Yes
ISO 8846 (Ignition Protection)	Yes

*Customers should check compatibility of their MFD prior to purchase

**Go7 XSR, Go9 and Go12 compatible

PHYSICAL

Ingress Protection Rating	IP67
Size - Not Including Cable Glands (LxWxH)	113mm x 61mm x 33mm (4.45" x 2.4" x 1.3")
Case Construction	Robust Weatherproof ABS (Flame Retardant and Halogen Free)

ACCESSORIES

Accessory	Part number
Lumi-Link Display	60-0369
Lumi-Link Garmin Conversion Cable	60-0372
Lumi-Link Navico Conversion Cable	60-0373
Lumi-Link Furuno Conversion Cable	60-0375
Lumi-Link Command Centre Furuno SD Card	60-0377

LUMI-LINK™ COMMAND CENTER LIGHTING SYSTEM FUNCTIONALITY

Lux Smart Lighting Compatible	Yes
Zone Control	Yes
Scenes	Yes
RGB Spectrum Color Select	Yes
White Colour Temperature Balance (Warm to Cold)	Yes
Lumishore Preset Colors	Yes
Lights Synchronised (All lights, All Colors, All Modes)	Yes
Color Cycle	Yes (Spectrum, Ice, Sunset, Miami)
Cycle Speed Adjust	Yes
Color Sweep	Yes (Ice, Sunset, Miami)
Color Sweep Speed Adjust	Yes
Color Palette	Yes
Fixed Strobe (Any Mode)	Yes
Strobe Mode (Any Mode)	Yes
Light Discovery and Set up	Yes
Light Brightness Adjustment	Yes
Diagnostic Function	Yes
Sound to Light	Yes
Control from MFD screen or EOS Viewer	Yes
WiFi Control from Smart Phone or Connected Device	Yes



The world's first marine lighting API (Application Programming Interface) allowing plug-&-play integration of Lumishore SUPRA & EOS underwater lighting systems with a single cable to your Multi-Function Display (MFD) creating a centralized control platform for the entire vessel reducing helm clutter and simplifying vessel operation.

