

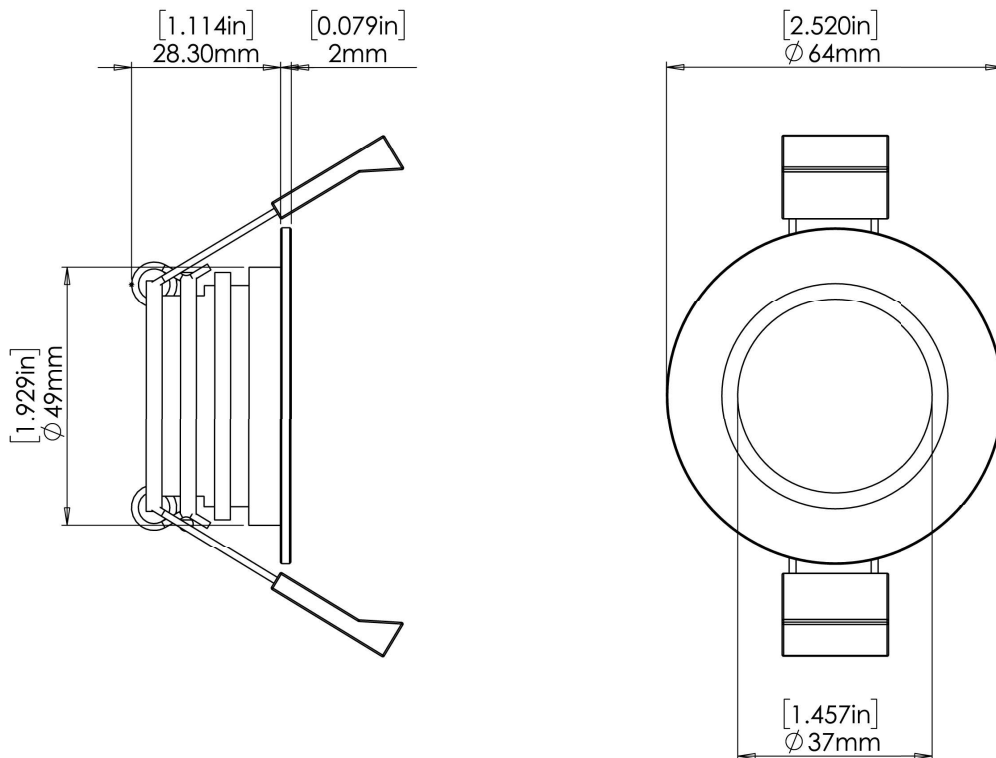


**LUMI-LINK™**

# Lux Downlight DL50 (IP68)



| PART DESCRIPTION         | DL50 LUX DOWN LIGHT  |
|--------------------------|--|
| Part Number              | 60-0393 - LUX Light Control Module (Required - up to 16 downlights per module)<br>60-0391 - DL 50 Downlight Module (White Bezel)<br>60-0427 - DL 50 Downlight Module (Black Bezel) |
| Available Colors         | White Color Temperature Tunable (2700K to 6500K) and Full Spectrum RGB in the same LED Downlight   |
| LED Type                 | Warm White, Cold White, Red, Green and Blue (5 Channel)  |
| Warranty                 | 2 years  |
| Customer Control Options | Lumi-Link Command Center<br>Customer Supplied Momentary Switch   |
| Electrical Installation  | Simple 3 Wire Installation   |



| TECHNICAL                           |  |
|-------------------------------------|--|
| Driver                              | Multi-Channel Internal Driver                    |
| Supply Voltage Range                | 10.5 - 31 V DC                                   |
| Max Current Draw (12/24V DC)        | 0.5A / 0.25A                                     |
| Surge Protection                    | Yes  |
| Low Voltage Protection              | Yes  |
| Auto Power Control                  | Yes - Intelligent Multi-Channel Power Management |
| “Soft Start” Electronics Protection | Yes  |
| Reverse Polarity Protection         | Yes  |
| In Rush Current Protection          | Yes  |
| Power Line Noise Suppression        | Yes  |
| ISO 8846 (Ignition Protection)      | Yes  |

| PHYSICAL                  |  |
|---------------------------|--|
| Ingress Protection        | IP68   |
| Front Diameter (Bezel)    | 64mm (2.52")   |
| Profile                   | 2mm (0.07")  |
| Depth                     | 30.3mm (1.2")  |
| Hole Diameter for fitting | 50mm (1.97")   |
| Construction              | Black or White Bezel with Hard Anodised Aluminium Body     |
| Mechanical Installation   | Stainless Steel Spring Clips<br>Marine Adhesive (Optional) |
| Weight - g (oz)           | 75g (2.7 oz)   |
| Installation Location     | Outdoor / Partially Covered Areas /<br>Indoor              |

