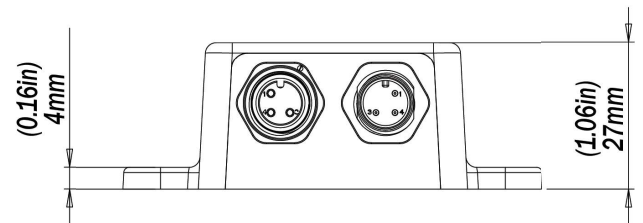
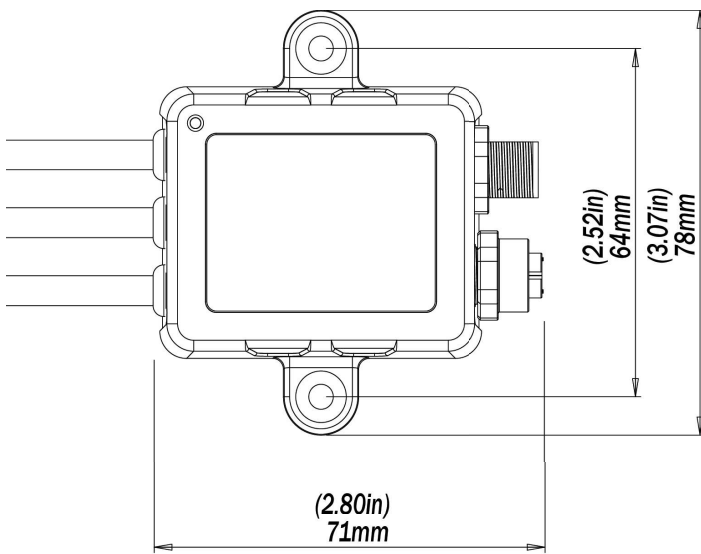




LUX Light Control Module

PART DESCRIPTION	LUX LIGHT CONTROL MODULE
Part Number	60-0393
For Use With	Lux Downlights Lux Courtesy Lights
Ingress Protection Rating	IP68
Features	Full Spectrum RGB and White Color Temperature Tunable (2700K to 6500K) Full Lumi-Link Capability for Lux Smart Lighting Specially Designed for Ease of Installation
Warranty	2 years
Customer Control Options	Lumi-Link Command Center Customer Supplied Momentary Switch



TECHNICAL	
Driver	Multi-Channel Internal Driver
Supply Voltage Range	10.5 - 31 VDC
Max Current Draw (12/24V DC)	0.2 A / 0.1 A
Surge Protection	Yes
ATRB (Automatic Thermal Roll Back)	Yes
Low Voltage Protection	Yes
Auto Power Control	Yes - Intelligent Multi-Channel Power Management
“Soft Start” Electronics Protection	Yes
Reverse Polarity Protection	Yes
In Rush Current Protection	Yes
Power Line Noise Suppression	Yes
ISO 8846 (Ignition Protection)	Yes

PHYSICAL	
Ingress Protection	IP68
Size - Not Including Cable Glands or cables (LxWxH)	71mm x 64mm x 27mm (2.80" x 2.52" x 1.06")
Case Construction	Robust Weatherproof ABS (Flame Retardant and Halogen Free)

FOR USE WITH	
DL 65 Downlight	60-0390
DL 50 Downlight - White Bezel	60-0391
DL 50 Downlight - Black Bezel	60-0427
CL 25 Courtesy Light	60-0392

