

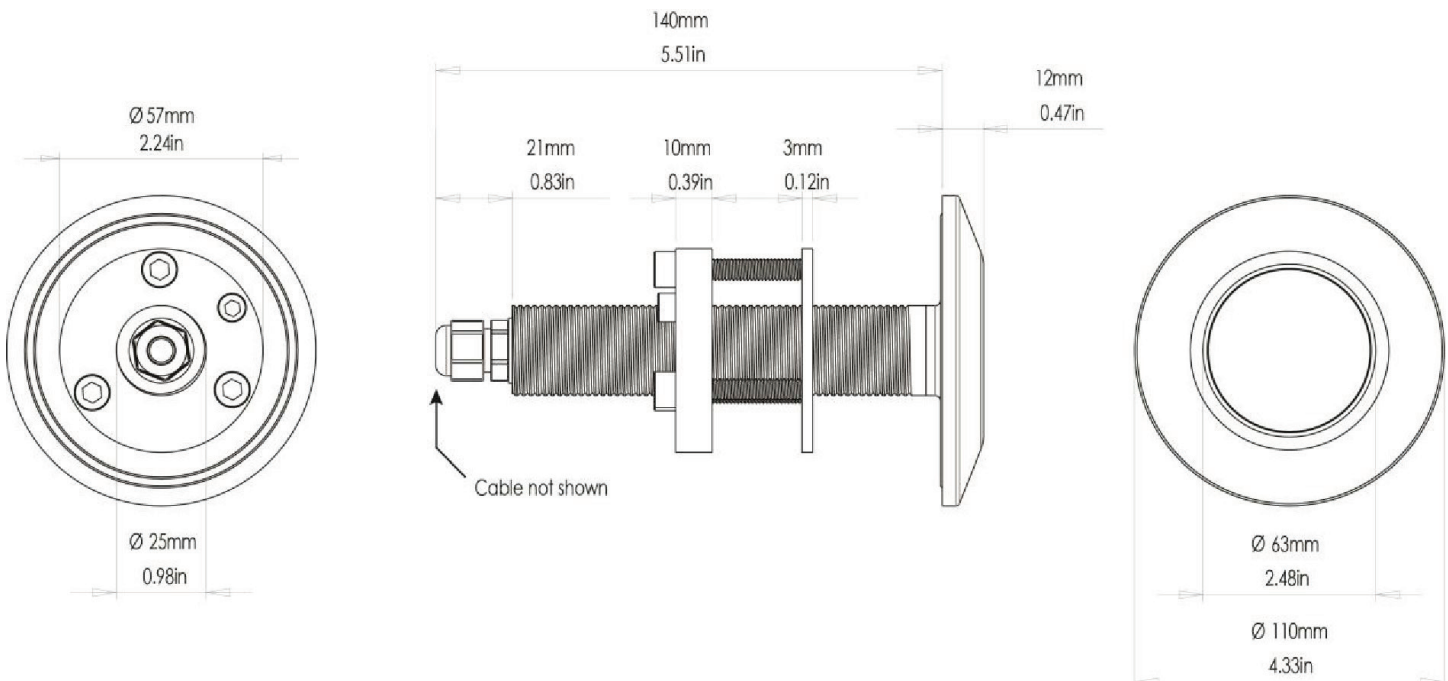
EOS Series - Full Color Change

THX803

THRU-HULL UNDERWATER LED LIGHT

PART DESCRIPTION	EOS THX803 THRU-HULL UNDERWATER LED LIGHT
Available Colors	Full Color Change (RGBW)
Lumens	23,625
Fixture Lumens (White)	10,500
Number & Type Of LED	White-24×10W / Green-24×3W / Blue-24×3W / Red-32×3W
LED Power - HICOB Array	Yes
Typical LED Life	50,000+ Hours
Warranty	3 Years
User Control Options	EOS STV 2203-i Control via certified MFD, or connected iOS device*
THX803 Set	2x EOS THX803 lights, 1 x EOS STV 2203-i (PN: 60-0351)

* Requires EOS Lumi-Link Bridge Module or Black Box Module



EOS Series - Full Color Change

THX803

THRU-HULL UNDERWATER LED LIGHT



LUMI-LINK™

TECHNICAL

Driver	Multi-Channel External Driver
Supply Voltage Range	10.5–31 V DC
Max Current Draw 12/24V	8.8 A / 4.4 A
Surge Protection	Yes (3,000V)
ATRB (Automatic Thermal Roll-Back)	Yes
Low Voltage Protection	Automatic Voltage Roll-Back Control And Low Voltage Cut Out
Auto Power Control	Yes - Intelligent Multi-Channel Power Management
“Soft Start” Electronics Protection	Yes
Reverse Polarity Protection	Yes
In Rush Current Protection	Yes
Power Line Noise Suppression	Yes
Communications Protocol	Lumi-DMX (DMX 512 and RDMX Compatible)

PHYSICAL

Beam Angle	110°
Water Ingress Protection Rating	IP68
Light Face Diameter	110mm (4.33")
Profile (Height) Of Housing	12mm (0.47")
Shaft Length	140mm (5.51")
Housing Type	Marine Bronze Body with Borosilicate Glass Lens
Light Cable Length	3M (9.8') Standard
Hole Cut-Out for Shaft (Hole Cutter Size)	Metric: 27mm Imperial: 1-1/16 " (1.0625")
Weight	0.96 Kg (2.1 Lbs)
Bonding	Required (Bonding Connection Provided on Light)
Isolation Option	Hull Isolation Sleeves Available For Metal Hull Installation

LIGHTING SYSTEM FUNCTIONALITY

Manufacturer Preset Colors	Yes
Lights Synchronized (All Lights, All Colors, All Modes)	Yes
Color Cycle	Yes
Cycle Speed Adjust	Yes
Color Sweep	Yes
Color Sweep Speed Adjust	Yes
Customizable Favorites	Yes
Fixed Strobe (Any Color)	Yes
Random Strobe Mode (Any Color)	Yes
Customizable Strobe Mode	Yes
Programmable Scenes	Yes
Wi-Fi Control (App)	Yes
External DMX/RDMX	Yes
Individually Addressable Lights	Yes
Sound-To-Light	Yes
Groups	Yes
Automatic Light Discovery and Setup	Yes
Light Brightness Adjustment	Yes
Diagnostic Function	Yes
Wi-Fi Control via Connected Device (e.g. Smart Phone)	Yes*
Light Control via MFD Screen	Yes*

*These features require a Lumi-Link module and compatible MFD. This allows easy integration and control direct from MFDs, and other third party control systems

ACCESSORIES PART NUMBER

EOS STV 2203-i	60-0324
EOS THX803 Light	60-0339
EOS Lumi-Link Bridge Module for Garmin OneHelm™	60-0322
EOS Lumi-Link Black Box Module for Garmin OneHelm™	60-0335

LUMI-LINK™
PLUG-&-PLAY MFD INTEGRATION

The world's first marine lighting API (Application Programming Interface) allowing plug-&-play integration of Lumishore SUPRA & EOS underwater lighting systems with a single cable to your certified Multi-Function Display (MFD) creating a centralized control platform for the entire vessel reducing helm clutter and simplifying vessel operation. Now available for Garmin OneHelm™ MFDs.