



LUMI-LINK™

SUPRA Series - SMX

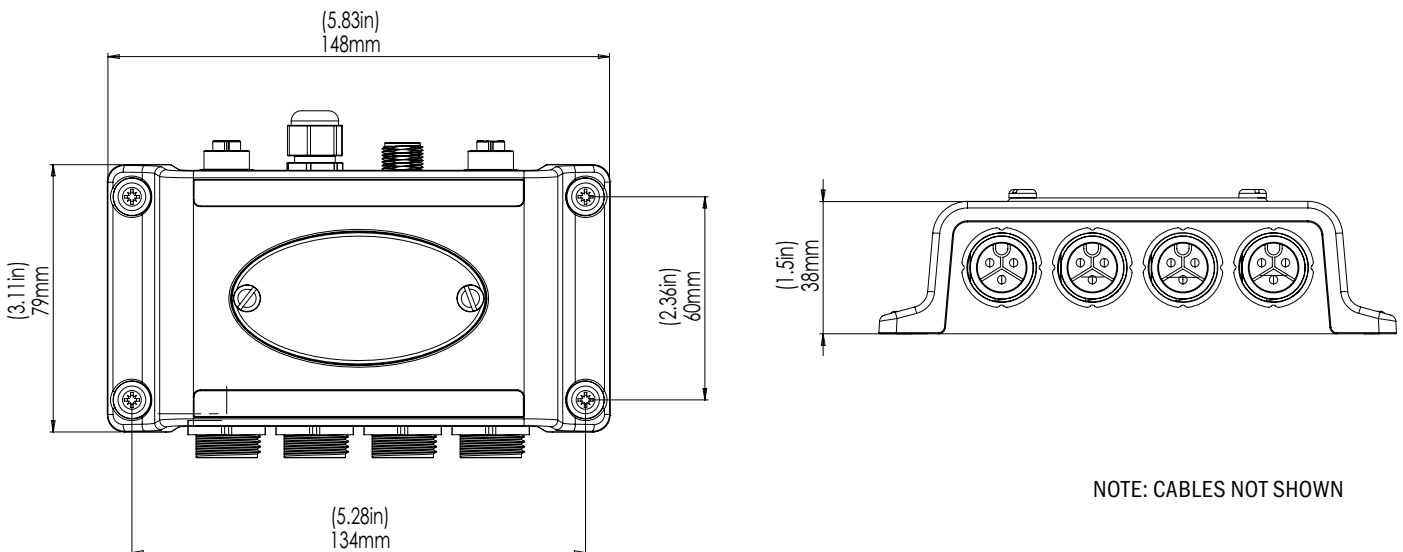
i-Connect Hub

JUNCTION BOX FOR SUPRA SERIES SMX LIGHTS



| PART DESCRIPTION | SUPRA I-CONNECT HUB |
|-------------------------------------|---|
| Part Number | 60-0317 |
| For Use With | SMX53 Underwater Lights |
| Max Number of Lights Per Hub | 4 |
| Max Number of Hubs Per Installation | Up to 4 (SMX) |
| Ingress Protection Rating | IP68 |
| Features | Full Lumi-Link Capability for control via certified MFD Specially Designed for Ease of Installation Plug and Play Connections IP68 Field Installable Connecters (supplied) Built in Switching Power Relay Replaceable Blade Fuse For Each Light Status Indication LED for Each Light Built In Noise Filter |
| Warranty | 2 Years |
| User Control Options | SUPRA i-Connect Hub Switch Control via certified MFD* |

* Requires SUPRA Lumi-Link Bridge Module



NOTE: CABLES NOT SHOWN

SUPRA Series - SMX

i-Connect Hub

JUNCTION BOX FOR SUPRA SERIES SMX LIGHTS



TECHNICAL

| | |
|---|--|
| Number of Lights per Hub | 4 |
| Max Number of Hubs per Installation (Surface Mount) | 4 Hubs (16 Lights) |
| Connections | SMX - Field Installable Connector (supplied with Hub) |
| Fuses | Replaceable Blade Fuses. Each Light Individually Fused |
| Status Indication LEDs | Yes - for Each Light |
| Voltage Range | 10.5 - 31V DC |
| Max Input Current | 40 A |
| Max Output Current (i.e. Max Current Per Light) | 10 A |
| Cable Entry / Exit | IP68 Connections |
| Switching Method | Built-in Relay |
| Noise Suppression | Built-in Noise Filter |
| Reverse Polarity Protection | Yes |
| Lumi-Link Compatible | Yes |

PHYSICAL

| | |
|---|--|
| Ingress Protection | IP 68 |
| Size - Not Including Cable Glands (LxWxH) | 148 mm x 79 mm x 38 mm (5.83" x 3.11" x 1.50") |
| Box Construction | Robust Weatherproof ABS |

SUPRA I-CONNECT HUB & SWITCH FUNCTIONALITY

| | |
|------------------------------|--|
| Mode | Toggle switch to move to the next mode |
| White | Yes |
| Blue | Yes |
| Strobe | Yes |
| Synchronized Strobe | Yes |
| Fade Mode | Yes |
| Synchronized Fade Mode | Yes |
| Light Control via MFD Screen | Yes* |

*These features require a SUPRA Lumi-Link Bridge Module and compatible MFD. This allows easy integration and control direct from MFDs, and other third party control systems.

I-CONNECT HUB ACCESSORIES PART NUMBER

| | |
|---|---------|
| SUPRA i-Connect Hub Switch | 60-0318 |
| 3m Light Extension Cable | 24-0247 |
| SUPRA Lumi-Link Bridge Module for Garmin MFDs with OneHelm™ Integration | 60-0353 |

LUMI-LINK™
PLUG-&-PLAY MFD INTEGRATION

The world's first marine lighting API (Application Programming Interface) allowing plug-&-play integration of Lumishore SUPRA & EOS underwater lighting systems with a single cable to your certified Multi-Function Display (MFD) creating a centralized control platform for the entire vessel reducing helm clutter and simplifying vessel operation. Now available for Garmin OneHelm™ MFDs.