

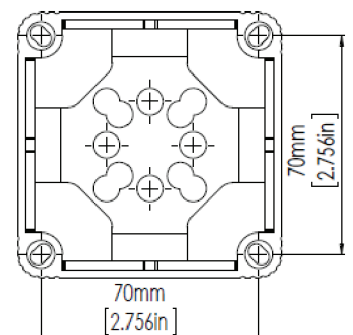
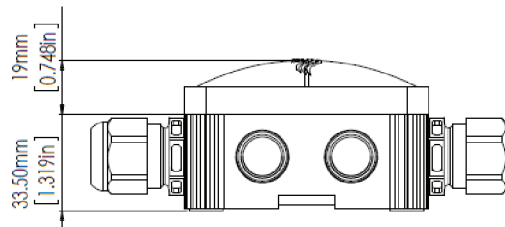
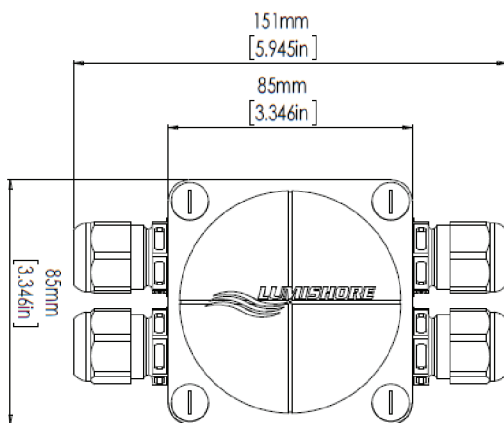
SUPRA Series - SMX

Lumi-Hub

JUNCTION BOX FOR SUPRA SERIES SMX LIGHTS



PART DESCRIPTION	SUPRA SMX LUMI-HUB JUNCTION BOX
Part Number	60-0251
For Use With	SMX 22, SMX 52 and SMX 102 Supra Surface Mount Lights
Max Number of Lights Per Lumi-Hub	4
Ingress Protection Rating	IP67
Features	Specially Designed for Ease of Installation Built-in Screw Terminals for All Connections Built in Switching Power Relay Replaceable Blade Fuse For Each Light Status Indication LED for Each Light Built-in Noise Filter
Warranty	2 Years
User Control Options	Lumi-Switch or Standard On/Off Switch



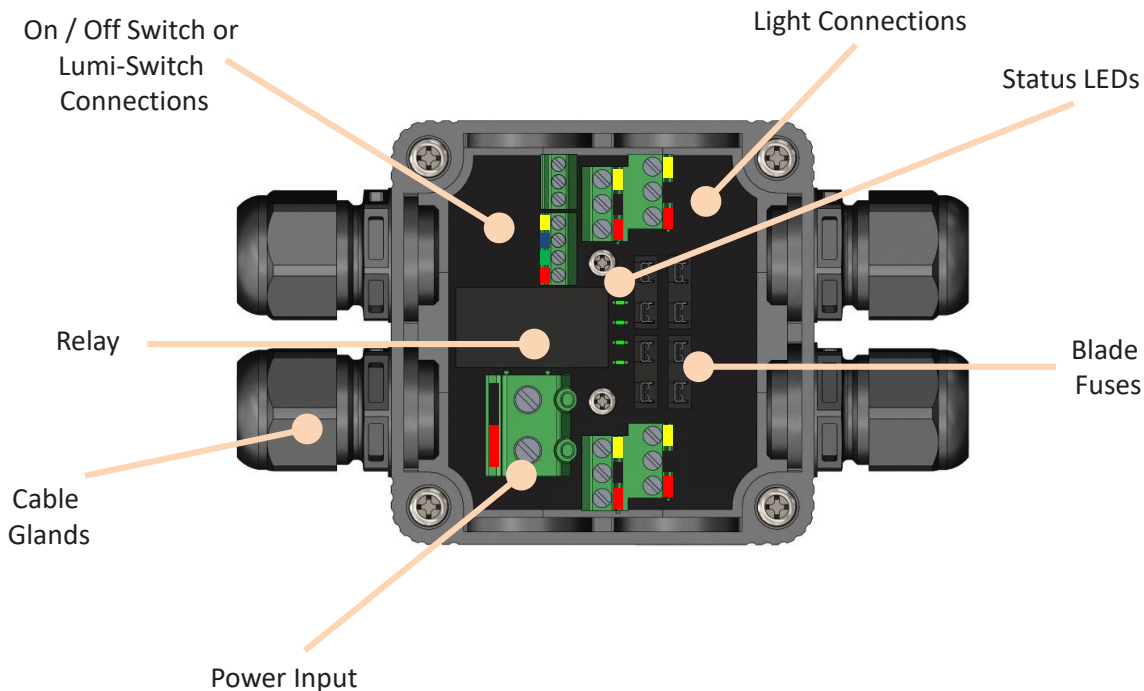
NOTE: CABLES NOT SHOWN

SUPRA Series - SMX Lumi-Hub

JUNCTION BOX FOR SUPRA SERIES SMX LIGHTS

TECHNICAL	
Number of Lights per Lumi-Hub	4
Max Number of Hubs per Installation	4 hubs (16 Lights) (Note: for larger systems please contact Lumishore for options)
Connections	Screw Terminal
Fuses	Replaceable Blade Fuses. Each Light Individually Fused
Status Indication LEDs	Yes - for Each Light
Voltage Range	10.5 - 31V DC
Max Input Current	20 A
Max Output Current (i.e. Max Current Per Light)	5 A
Cable Entry / Exit	IP68 Cable Gland
Switching Method	Built-in Relay
In Rush Current Protection	Yes
Noise Suppression	Built-in Noise Filter
Reverse Polarity Protection	Yes

PHYSICAL	
Ingress Protection	IP 67
Size - Including Cable Glands (LxWxH)	151mm x 85mm x 52.5mm (5.95" x 3.35" x 2.07")
Box Construction	Robust Weatherproof PVC (Flame Retardant and Halogen Free)



DATA IS SUBJECT TO CHANGE WITHOUT NOTICE

LUMISHORE DATA SHEET.SUPRASMXLUMI-HUB.010117