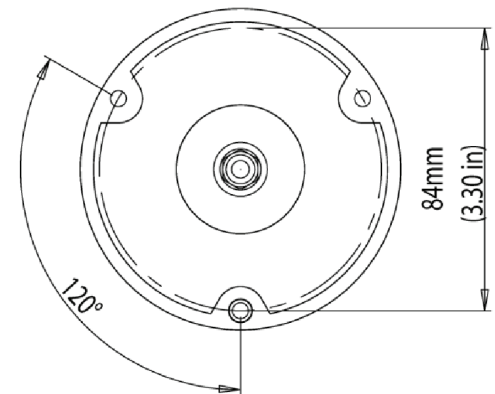
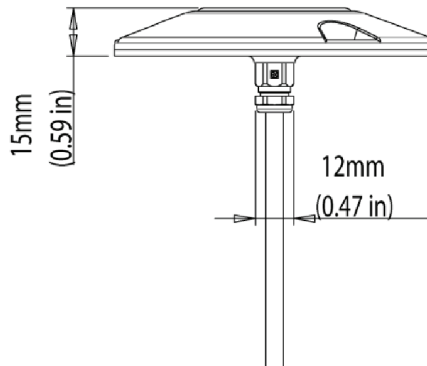
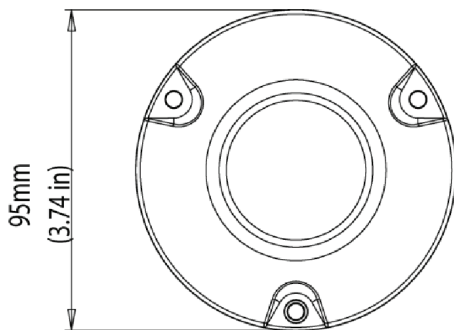


SUPRA Series - Dual Color SMX22

SURFACE MOUNT UNDERWATER LED LIGHT

PART DESCRIPTION	SUPRA SMX22 SURFACE MOUNT UNDERWATER LED LIGHT
Part Number	60-0193 - Master Light (1 per system) 60-0194 - Secondary Light
Available Colors	Dual Color (Blue & White)
Lumens	4,500
Fixture Lumens (White)	2,000
Number & Type Of LED	White-6x10W / Blue-9x3W
LED Power - HICOB Array	Yes
Typical LED Life	50,000+ Hours
Warranty	2 Years
User Control Options	On/Off Switch (Third party supplied)
User Control Options - Enhanced	Lumi-Switch (Lumishore Smart Switch)
Lights Synchronized (All Lights, All Modes, All Colors)	Yes



SUPRA Series - Dual Color

SMX22

SURFACE MOUNT UNDERWATER LED LIGHT

TECHNICAL	
Driver	Multi-Channel Internal Driver
Supply Voltage	10.5–31 V DC
Max Current Draw 12/24V	1.7A / 0.75.A
Surge Protection	Yes (3,000V)
ATRB (Automatic Thermal Roll-Back)	Yes
Low Voltage Protection	Automatic Voltage Roll-Back Control And Low Voltage Cut Out
Auto Power Control	Yes - Intelligent Multi-Channel Power Management
“Soft Start” Electronics Protection	Yes
Reverse Polarity Protection	Yes
In Rush Current Protection	Yes
Power Line Noise Suppression	Yes
System Memory	Yes (Switches on at last setting)

PHYSICAL	
Beam Angle	90°
Water Ingress Protection Rating	IP68
Light Face Diameter	95mm (3.74")
Profile (Height) Of Housing	15mm (0.59")
Housing Type	Polymer Mold With Thermal-Core
Cable Length	2m (6'6") Standard (Extendable using 3 core cable+)
Hole Cut-Out for Cable (Drill bit size)	Metric: 13.5mm Imperial: 17/32" (0.5313")
Weight	260g (0.6Lbs)
Bonding	Not Required
Installation	3 x A4 stainless steel screws (Provided)

+ Extension distance depends on cable type, refer to user manual for further information

LIGHTING SYSTEM FUNCTIONALITY (ON/OFF SWITCH)	
White	Yes
Blue	Yes
Color Fade Cycle	Yes
White Strobe (Fixed Frequency)	Yes
Blue Strobe (Fixed Frequency)	Yes

LIGHTING SYSTEM FUNCTIONALITY (LUMI-SWITCH)		
Mode	On/Off	Momentary
White	Yes	No Action
Blue	Yes	No Action
Color Fade Cycle	Yes	Brightness Control (Pause Cycle)
White Strobe (Fixed Frequency)	Yes	Change Strobe Speed
Blue Strobe (Fixed Frequency)	Yes	Change Strobe Speed

ACCESSORIES	PART NUMBER
Lumi-Switch (Smart Switch)	60-0202
SMX Supra Lumi-Hub	60-0251