



LUMI-LINK™



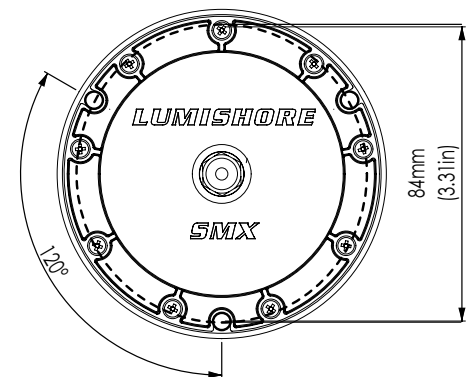
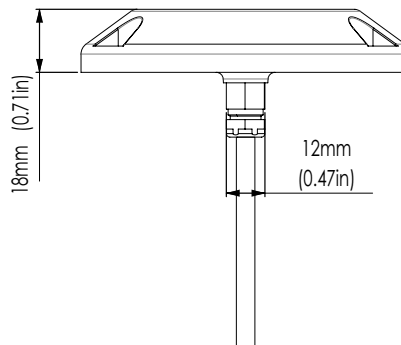
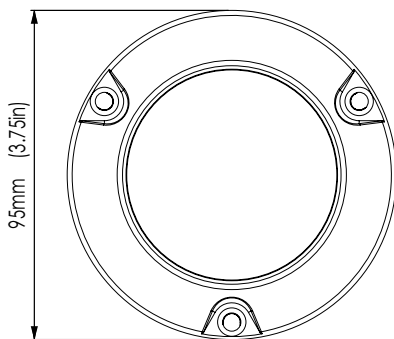
**SUPRA Series - Dual Color**

# SMX53

SURFACE MOUNT UNDERWATER LED LIGHT

PART DESCRIPTION	SUPRA SMX53 SURFACE MOUNT UNDERWATER LED LIGHT
Part Number	60-0314
Available Colors	Dual Color (Blue & White)
Lumens	13,725
Fixture Lumens (White)	6,100
Number & Type Of LED	White-12×5W / Blue-24×3W
LED Power - HICOB Array	Yes
Typical LED Life	50,000+ Hours
Warranty	2 Years
User Control Options	On/Off Switch (Third party supplied), SUPRA i-Connect Hub & Switch, or Control via certified MFD*
Electrical Installation	Simple 2 Wire Connection or SUPRA i-Connect Hub with Switch
Housing Type	Marine Bronze Body with Borosilicate Glass Lens

\* Requires SUPRA Lumi-Link Bridge Module



**SUPRA Series - Dual Color**

# SMX53

SURFACE MOUNT UNDERWATER LED LIGHT



**TECHNICAL**

Driver	Multi-Channel Internal Driver
Supply Voltage Range	10.5–31 V DC
Max Current Draw 12/24V	4.5 A/2.5 A
Surge Protection	Yes (3,000V)
ATRB (Automatic Thermal Roll-Back)	Yes
Low Voltage Protection	Automatic Voltage Roll-Back Control And Low Voltage Cut Out
Auto Power Control	Yes – Intelligent Multi-Channel Power Management
“Soft Start” Electronics Protection	Yes
Reverse Polarity Protection	Yes
In Rush Current Protection	Yes
Power Line Noise Suppression	Yes
Bonding	Not Required
Electrical Installation	Simple 2 Wire Connection OR SUPRA i-Connect Hub with Lumi-Switch
Max Vessel Length	15m (50')

**PHYSICAL**

Beam Angle	90°
Water Ingress Protection Rating	IP68
Light Face Diameter	95mm (3.75")
Profile (Height) Of Housing	18mm (0.71")
Housing Type	Marine Bronze Body with Borosilicate Glass Lens
Light Cable Length	2m (6'6") Standard (Can be extended *)
Hole Cut-Out for Cable (Drill bit size)	Metric: 13.5mm Imperial: 17/32" (0.5313")
Weight	470g (1.03 Lbs)
Mechanical Installation	3 x Marine Bronze Screws (Provided)

\* Extension distance depends on cable type, refer to user manual for further info



The world's first marine lighting API (Application Programming Interface) allowing plug-&-play integration of Lumishore SUPRA & EOS underwater lighting systems with a single cable to your certified Multi-Function Display (MFD) creating a centralized control platform for the entire vessel reducing helm clutter and simplifying vessel operation. Now available for Garmin OneHelm™ MFDs.

**LIGHTING SYSTEM FUNCTIONALITY (ON/OFF SWITCH)**

Mode	Switch Off/On to move to the next mode
Start Up (Lights come on in White Mode first)	Yes
Selectable Modes (Toggle switch to advance)	Yes
Preset Colors (White and Blue)	Yes
Strobe (White and blue in a strobe pattern)	Yes
Fade (White and Blue in a fade pattern)	Yes

**LIGHTING SYSTEM FUNCTIONALITY (I-CONNECT HUB & SWITCH)**

Mode	Toggle switch to move to the next mode
Start Up (Lights come on in White Mode first)	Yes
Selectable Modes (Toggle switch to advance)	Yes
Preset Colors (White and Blue)	Yes
Strobe (White and blue in a strobe pattern)	Yes
Synchronized Strobe (White)	Yes
Synchronized Strobe (Blue)	Yes
Fade (White and Blue in a fade pattern)	Yes
Synchronized Fade (All lights sync together)	Yes
Lumi-Link MFD Integration	With Lumi-Link Bridge

**LIGHTING SYSTEM FUNCTIONALITY (LUMI-LINK MFD INTEGRATION)**

Mode	Control via MFD
Start Up (Lights come on in White Mode first)	Customer Defined
Selectable Modes (Toggle switch to advance)	Customer Defined
Preset Colors (White and Blue)	Yes
Strobe (White and blue in a strobe pattern)	Yes
Synchronized Strobe (White)	Yes
Synchronized Strobe (Blue)	Yes
Fade (White and Blue in a fade pattern)	Yes
Synchronized Fade (All lights sync together)	Yes
Lumi-Link MFD Integration	Yes

**ACCESSORIES**

ACCESSORIES	PART NUMBER
SUPRA i-Connect Hub	60-0317
SUPRA i-Connect Hub Switch	60-0318
SUPRA Lumi-Link Bridge Module for Garmin MFDs with OneHelm™ Integration	60-0353