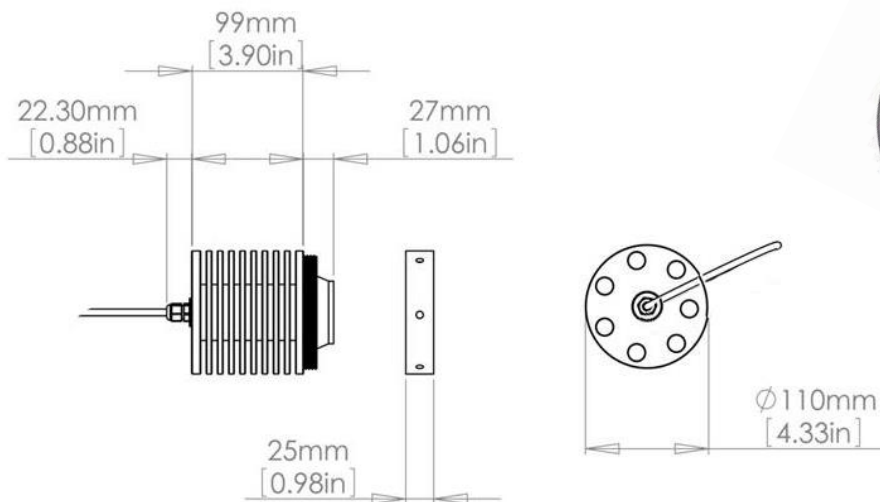




## ORA SY Series - Single Color TRX802

SY RETROFIT UNDERWATER LED LIGHT  
(FOR UPGRADE OF HID OR OTHER LED THROUGH HULL UNDERWATER LED LIGHTING SYSTEMS)

PART DESCRIPTION	ORA SINGLE COLOR TRX802 SY RETROFIT UNDERWATER LED LIGHT
Part Number	60-0309
Available Colors	Single Color (White or Blue)
Lumens	18,000
Fixture Lumens (White)	8,000
Number & Type Of LED	White - 36 x 10W, Blue - 48 x 3W
LED Power - HICOB Array	Yes
Typical LED Life	50,000+ Hours
Warranty	3 Years
User Control Options	On/Off Switch (Third party supplied)



**ORA SY Series - Single Color**  
**TRX802**



SY RETROFIT UNDERWATER LED LIGHT  
 (FOR UPGRADE OF HID OR OTHER LED THROUGH HULL UNDERWATER LED LIGHTING SYSTEMS)

TECHNICAL	
Driver	External AC Driver
Supply Voltage Range	90 - 250 V AC
Max Current Draw (AC)	0.6 A
Surge Protection	Yes (3,000V)
ATRB (Automatic Thermal Roll-Back)	Yes
Low Voltage Protection	Automatic Voltage Roll-Back Control, and Low Voltage Cut-Out
Auto Power Control	Yes - Intelligent Multi-Channel Power Management
“Soft Start” Electronics Protection	Yes
Reverse Polarity Protection	Yes
In Rush Current Protection	Yes
Power Line Noise Suppression	Yes

PHYSICAL	
Beam Angle	110°
Water Ingress Protection Rating	IP68
Light Diameter	110mm (4.33")
Shaft Length	99mm (3.90")
Construction	Light Body: Anodized Aluminum (5083), Adaptor Ring: Stainless Steel (316L)
Light Cable Length	3m (9'8") Standard