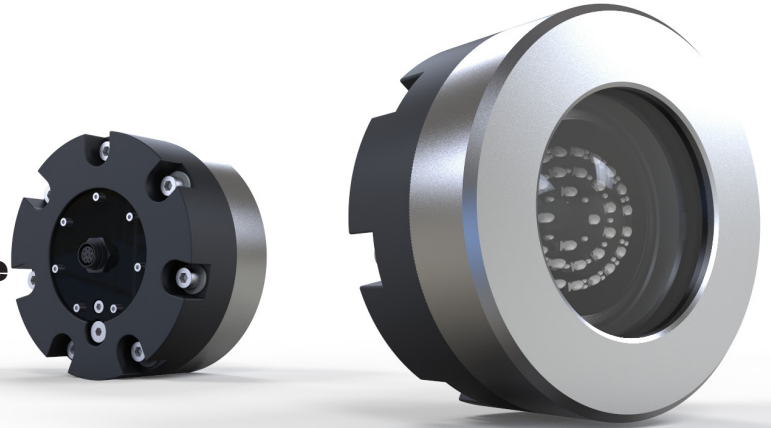




EOS SY Series - Full Color Change

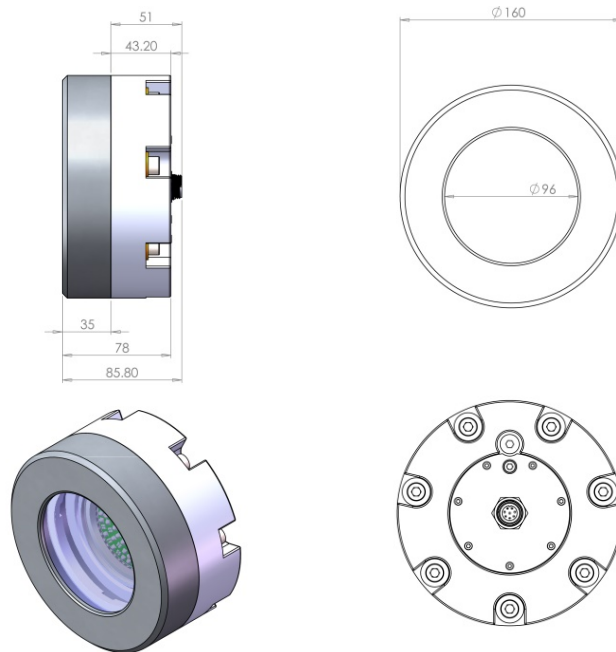
SY250

SY WELD-IN UNDERWATER LED LIGHT



PART DESCRIPTION	SY250 SERIES EOS WELD-IN UNDERWATER LIGHT
Available Colors	Full Color Change (RGBW)
Lumens	27,900
Fixture Lumens (White)	12,400
Number & Type Of LED	White - 36 x 10W, Green - 36 x 3W, Blue - 36 x 3W, Red - 48 x 3W
LED Power - HICOB Array	Yes
Typical LED Life	50,000+ Hours
Warranty	3 Years*
User Control Options	EOS STV 2202

*Subject to commissioning review



EOS SY Series - Full Color Change

SY250

SY WELD-IN UNDERWATER LED LIGHT



TECHNICAL

Driver	Multi-Channel External Driver
Supply Voltage Range	Integrated AC Driver (90-240V AC) 24 VDC option also available
Max Current Draw (AC)	1.4 A
Surge Protection	Yes (3,000V)
ATRB (Automatic Thermal Roll-Back)	Yes
Low Voltage Protection	Automatic Voltage Roll-Back Control, and Low Voltage Cut-Out
Auto Power Control	Yes - Intelligent Multi-Channel Power Mgmt
“Soft Start” Electronics Protection	Yes
Reverse Polarity Protection	Yes
In Rush Current Protection	Yes
Power Line Noise Suppression	Yes
Communication Protocol	Lumi-DMX (DMX-512/RDMX Compatible)

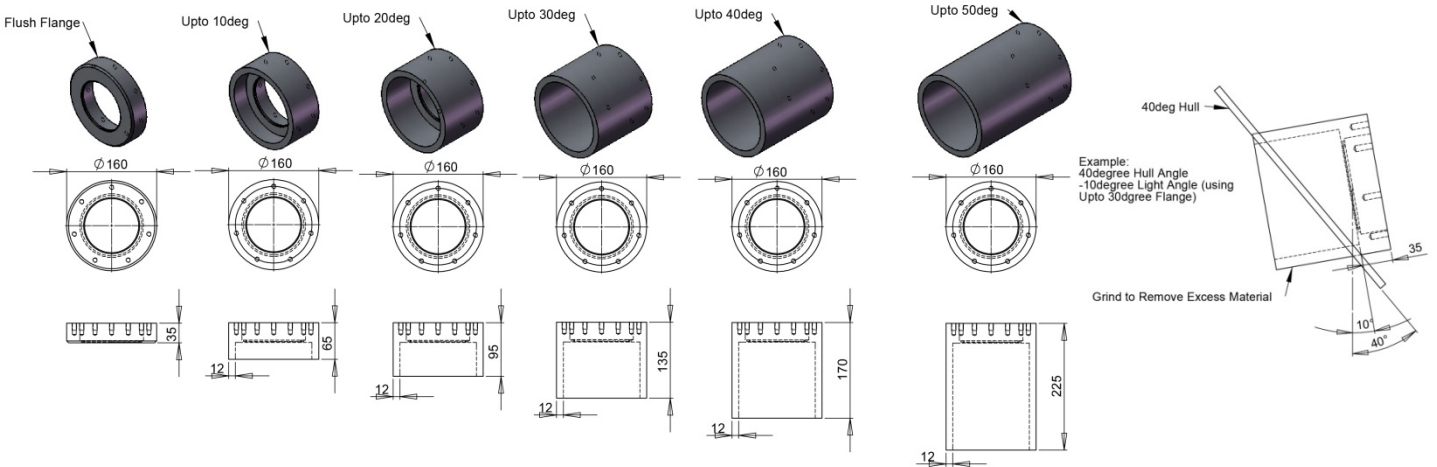
PHYSICAL

Beam Angle	60°/110°
Water Ingress Protection Rating	IP68
Flange Diameter	160mm (6.3")
Flange Angle Options (Degrees)	0° (Flush), 10°, 20°, 30°, 40°, 50°
Flange Material Options	Aluminum (5083L), Stainless Steel (316L)
Light Cable Length	3m (9'8") Standard (Cable can be extended up to 10m from driver - extension cables available)
Vessel Length	25m and above
Installation Locations	Transom, Side, Bulbous Bow, Water Tank

LIGHTING SYSTEM FUNCTIONALITY

Manufacturer Preset Colors	Yes
Lights Synchronized (All Lights, All Colors, All Models)	Yes
Color Cycle	Yes
Cycle Speed Adjust	Yes
Color Sweep	Yes
Color Sweep Speed Adjust	Yes
Customizable Favorites	Yes
Fixed Strobe (Any Color)	Yes
Random Strobe Mode (Any Color)	Yes
Customizable Strobe Mode	Yes
Programmable Scenes	Yes
Wi-Fi Control (App)	Yes
External DMX/RDMX	Yes
Individually Addressable Lights	Yes
Sound-To-Light	Yes
Groups	Yes
Automatic Light Discovery and Setup	Yes
Light Brightness Adjustment	Yes
Diagnostic Function	Yes

FLANGE ANGLES AND DIMENSIONS



DATA IS SUBJECT TO CHANGE WITHOUT NOTICE

LUMISHORE DATA SHEET

EOSSY250.12.11.17