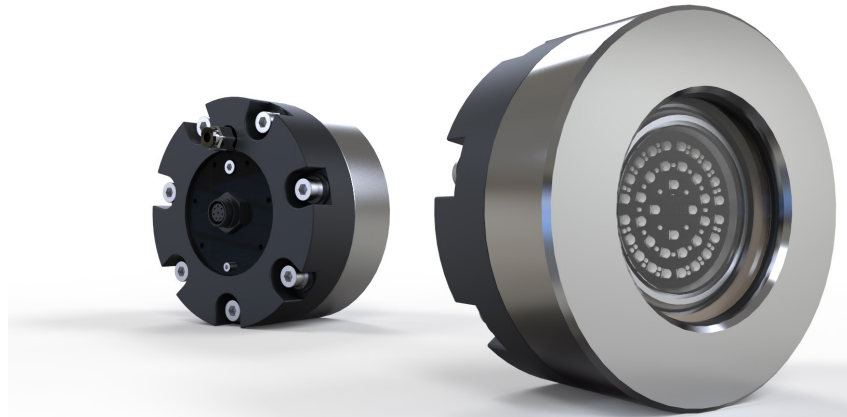




**ORA SY Series - Single Color**

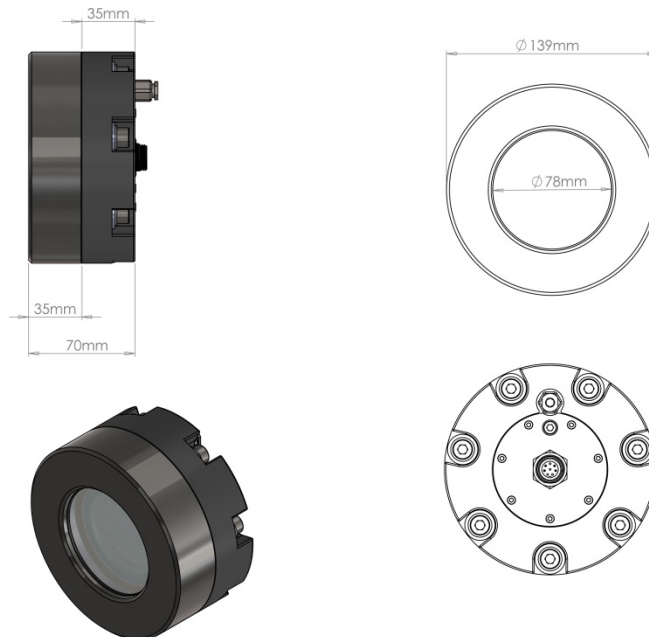
# SY220

SY WELD-IN UNDERWATER LED LIGHT



PART DESCRIPTION	SY220 SERIES ORA WELD-IN UNDERWATER LIGHT
Available Colors	White, Blue, or Warm White
Lumens	22,500
Fixture Lumens (White)	10,000
Number & Type Of LED	White - 36 x 10W, or Blue / Warm White - 48 x 3W
LED Power - HICOB Array	Yes
Typical LED Life	50,000+ Hours
Warranty	3 Years*
User Control Options	On/Off Switch

\*Subject to commissioning review



# ORA SY Series - Full Color Change

## SY220

SY WELD-IN UNDERWATER LED LIGHT



### TECHNICAL

Driver	External Driver
Supply Voltage Range	Integrated AC Driver (90-240V AC)
Max Current Draw (AC)	1.2 A
Surge Protection	Yes (3,000V)
ATRB (Automatic Thermal Roll-Back)	Yes
Low Voltage Protection	Automatic Voltage Roll-Back Control, and Low Voltage Cut-Out
Auto Power Control	Yes - Intelligent Multi-Channel Power Mgmt
"Soft Start" Electronics Protection	Yes
Reverse Polarity Protection	Yes
In Rush Current Protection	Yes
Power Line Noise Suppression	Yes

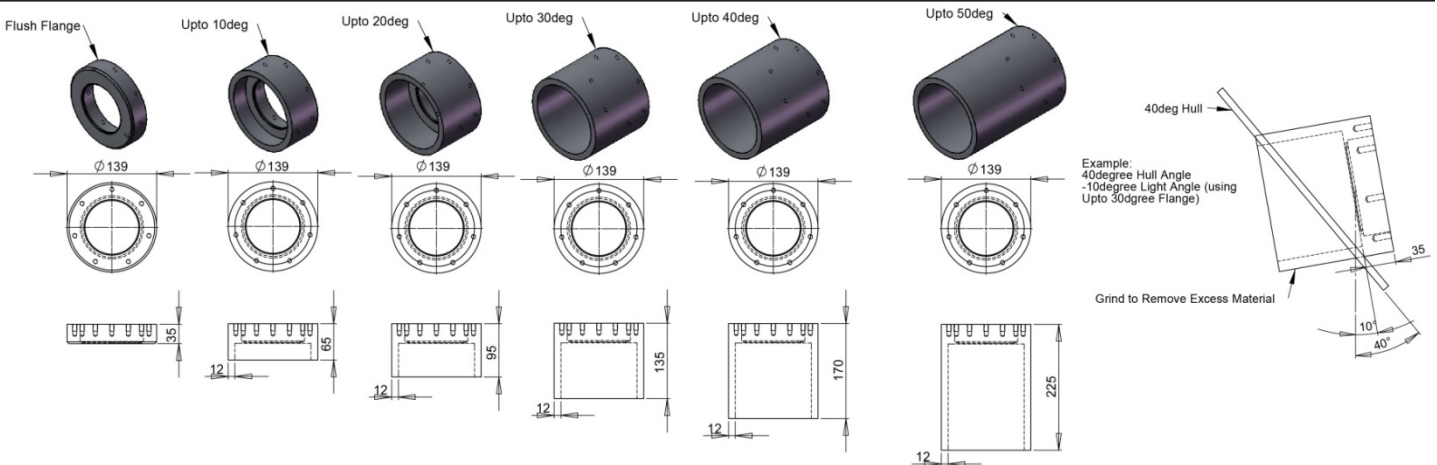
### LIGHTING SYSTEM FUNCTIONALITY

On/Off	Yes
Strobe	Yes (Optional)
Fade	Yes (Optional)

### PHYSICAL

Beam Angle	60°/110°
Water Ingress Protection Rating	IP68
Flange Diameter	139mm (5.47")
Flange Angle Options (Degrees)	0° (Flush), 10°, 20°, 30°, 40°, 50°
Flange Material Options	Aluminum (5083L), Stainless Steel (316L)
Light Cable Length	3m (9'8") Standard (Cable can be extended up to 10m from driver - extension cables available)
Vessel Length	Up to 50m
Installation Locations	Transom, Side, Bulbous Bow, Water Tank

### FLANGE ANGLES AND DIMENSIONS



DATA IS SUBJECT TO CHANGE WITHOUT NOTICE

LUMISHORE DATA SHEET

ORASY220.12.11.17